

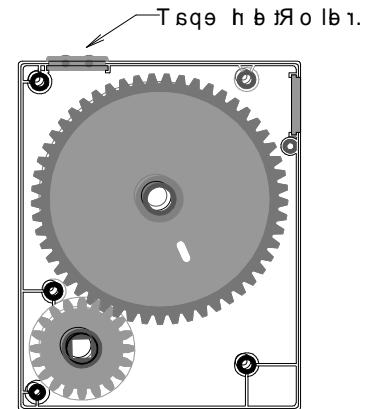
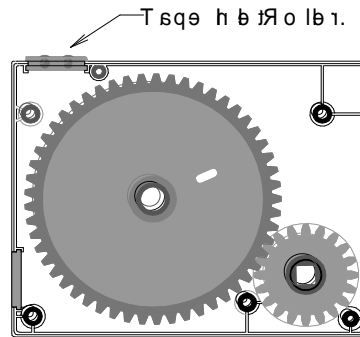
Series II Multi-Fit Tape & Cord Winder Control

13.112.401 (Multi Fit Tape Winder)

13.113.401 (Multi Fit Winder with
 5m of tape)

13.116.401 (Multi Fit Cord Winder)

The Series II Multi-fit Tape & Cord Winder Control can be installed in the horizontal position. By changing the position of the cap and roller installation can be done in a vertical position which brings the Winder Handle (13.140.000) 100mm closer to the window and positions the tape/cord entry point directly over the handle.



Sourced through a leading European manufacturer of shutter components the Multi-fit Winder Control is supplied with screw caps in a plastic bag inside the winder – seven (7) large and two (2) small. These are inserted into the winder box after it has been installed and tested.

Installation Information

Three of the four fixing hole are identical, and one has a slightly different alignment. If the Series II Multi-fit Winder Control is to replace an old style winder then it is recommended that the three holes that are in alignment be used.

If it is a new installation there will be no issue with screw hole alignment.

Right-side installation: uses five (5) large and one (1) small screw cap

Left-side installation: uses four (4) large screw caps

To remove the screw caps it is recommended to use a tool with a sharp point such as a retractable knife and gently prise it out of the screw hole.

[Winder Handle – Information Bulletin #017](#)



Multi-fit Tape Winder
 (13.112.401)