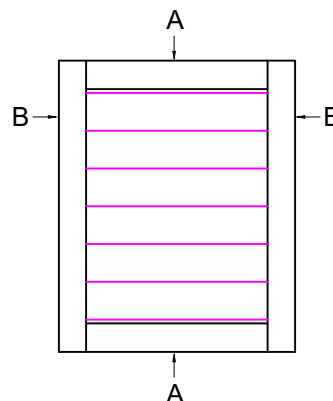
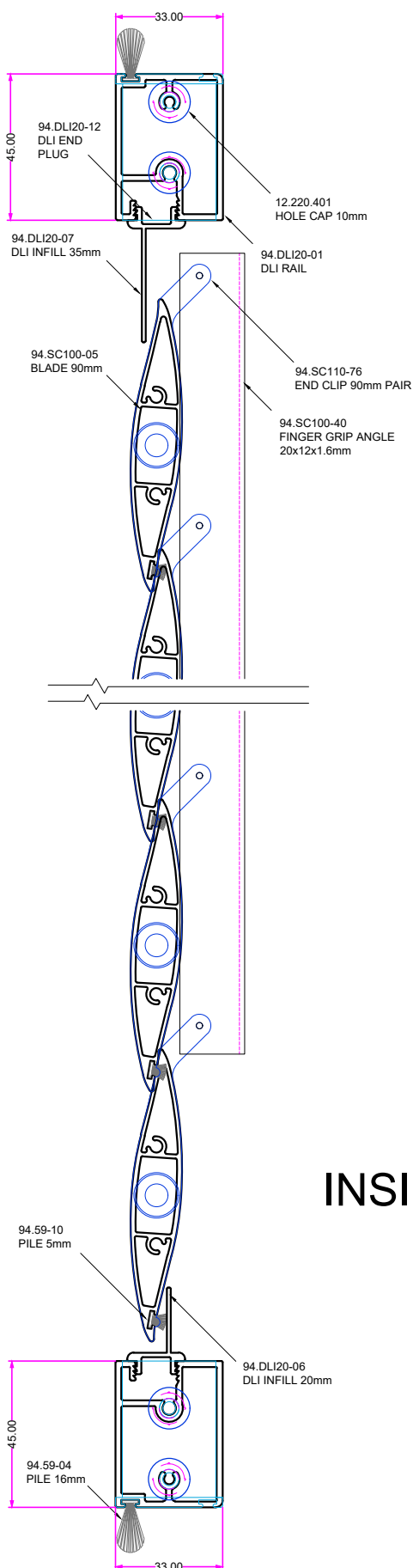


OZROLL DLI (DOMESTIC LOUVRE INTERNAL) FIXED LOUVRE FRAMELESS CONFIGURATION

A-A



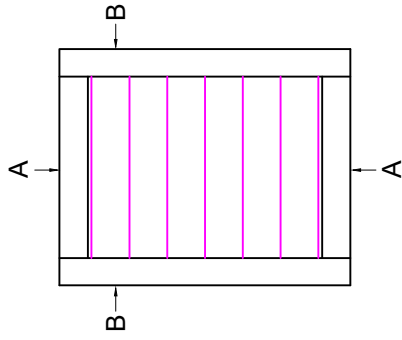
INSIDE

SCALE 1:2

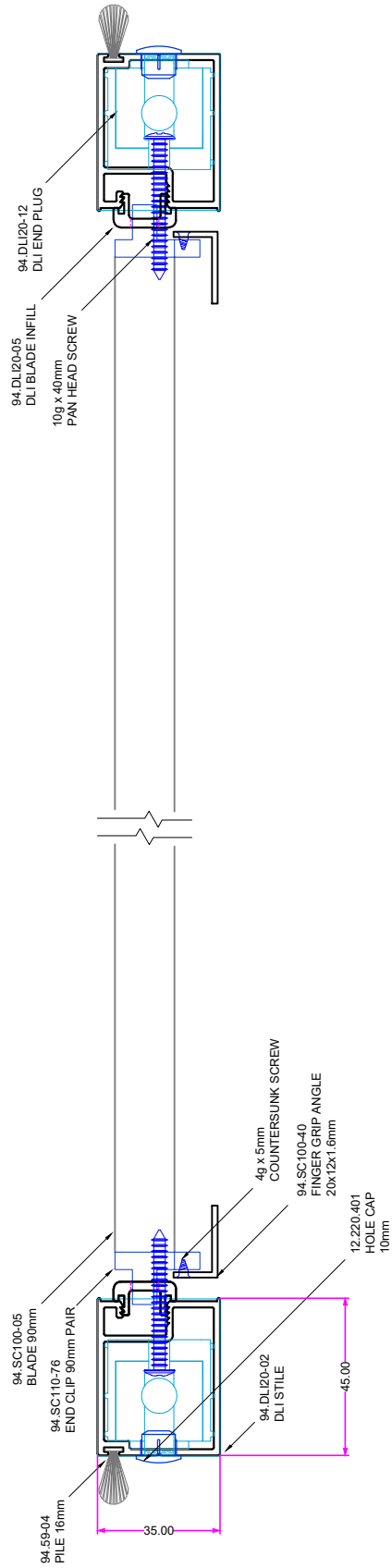
OZROLL DLI 02.01



OZROLL DLI (DOMESTIC LOUVRE INTERNAL) FIXED LOUVRE FRAMELESS CONFIGURATION



B-B

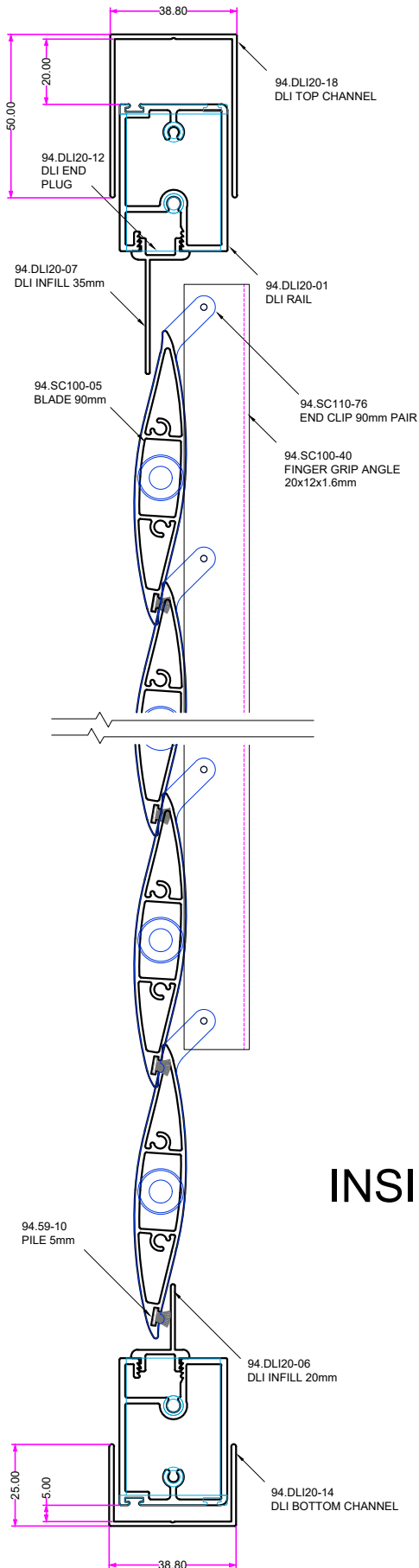


INSIDE

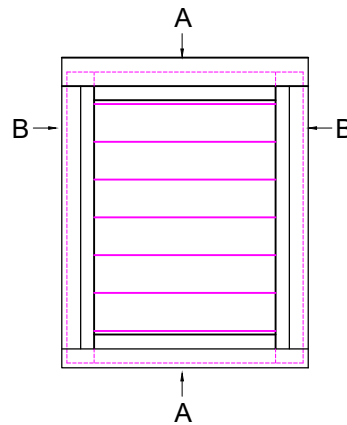


DLI (DOMESTIC LOUVRE INTERNAL) FIXED LOUVRE FRAMED CONFIGURATION

A-A



INSIDE

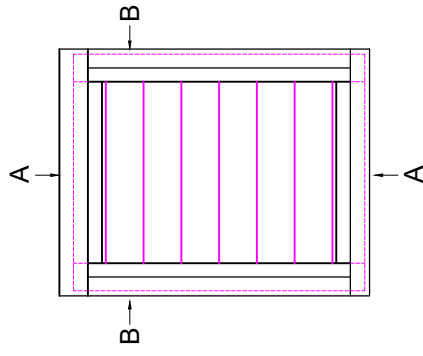


SCALE 1:2

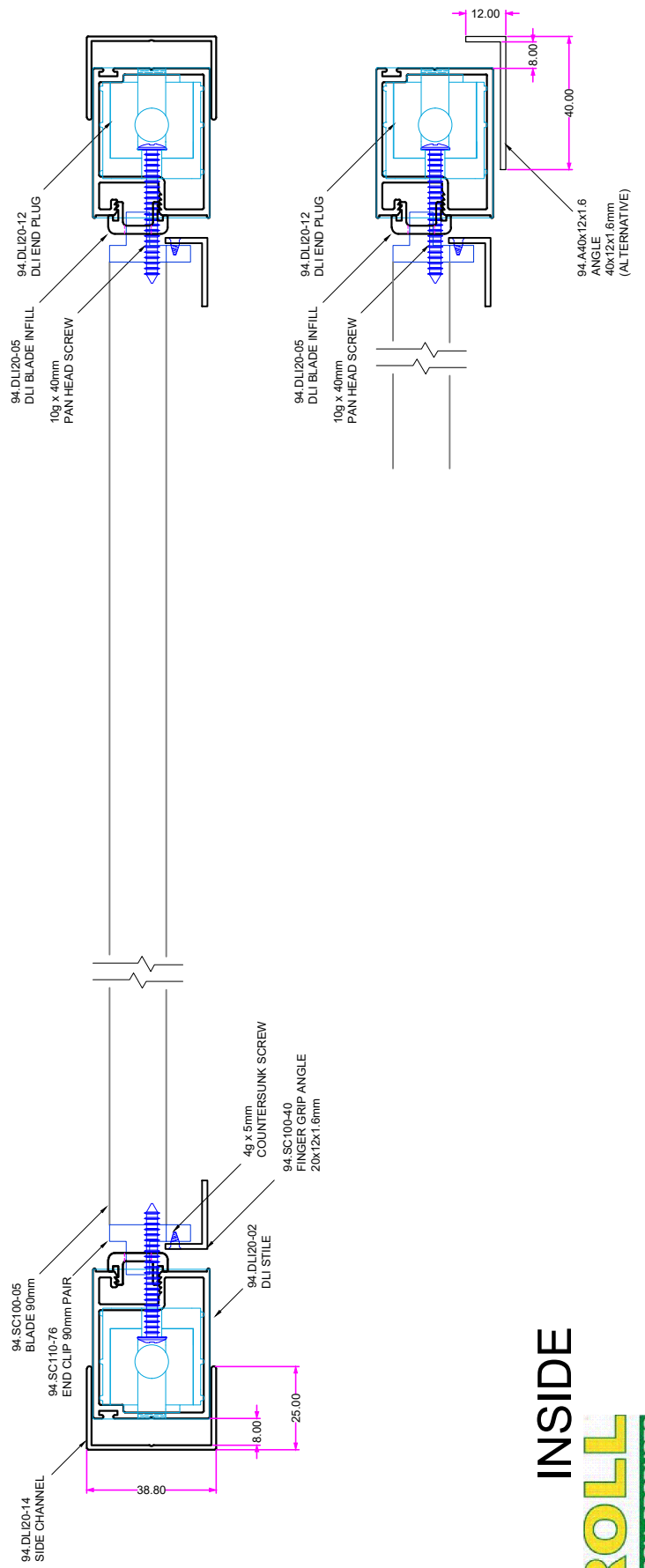
OZROLL DLI 02.03



DLI (DOMESTIC LOUVRE INTERNAL) FIXED LOUVRE FRAMED CONFIGURATION



B-B



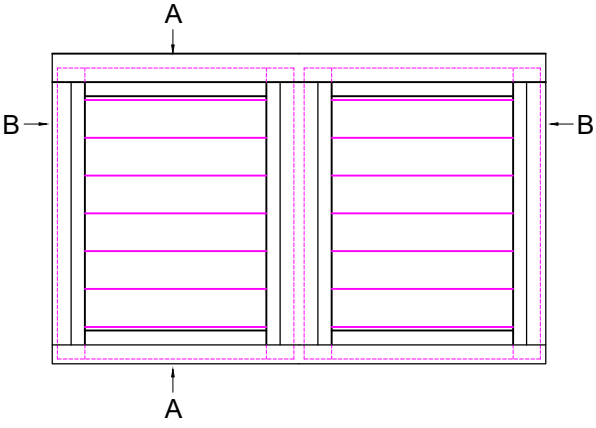
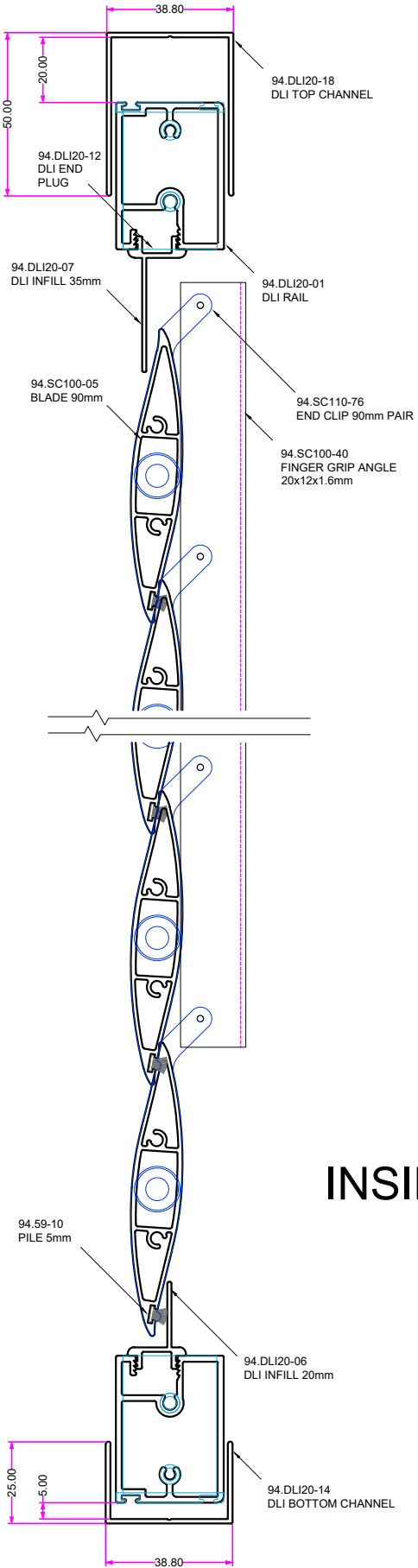
INSIDE
OZROLL
OZ ROLL PRODUCTS

SCALE 1:2

OZROLL DLI 02.04

DLI (DOMESTIC LOUVRE INTERNAL) FIXED-FIXED LOUVRE FRAMED CONFIGURATION

A-A



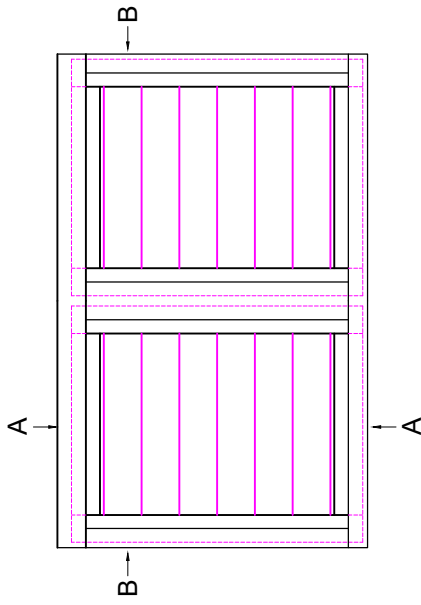
INSIDE

SCALE 1:2

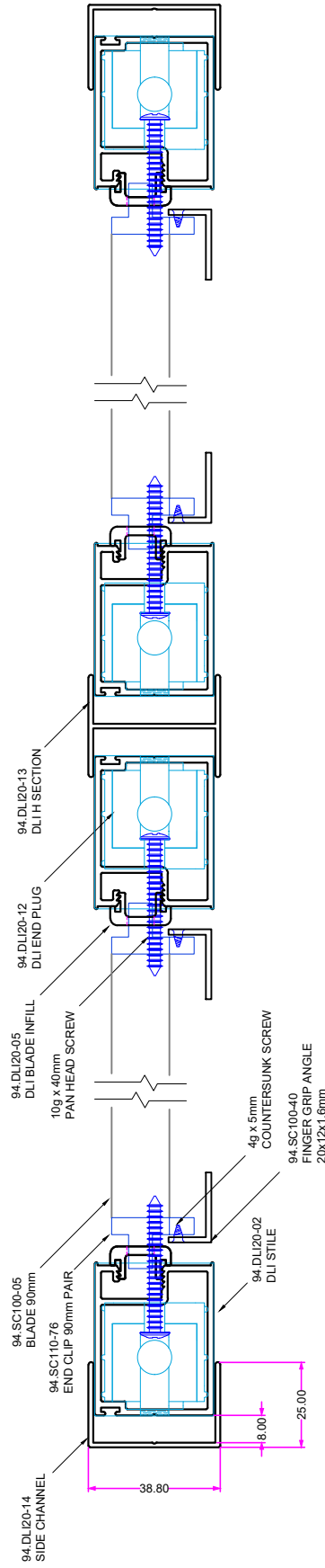
OZROLL DLI 02.05



DLI (DOMESTIC LOUVRE INTERNAL) FIXED-FIXED LOUVRE FRAMED CONFIGURATION



B-B

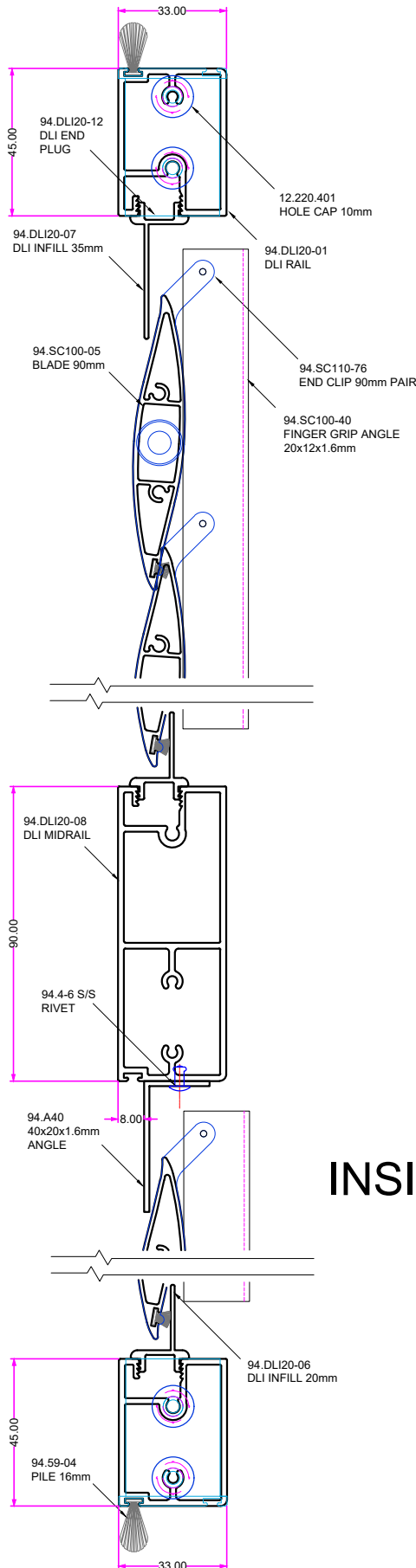


INSIDE

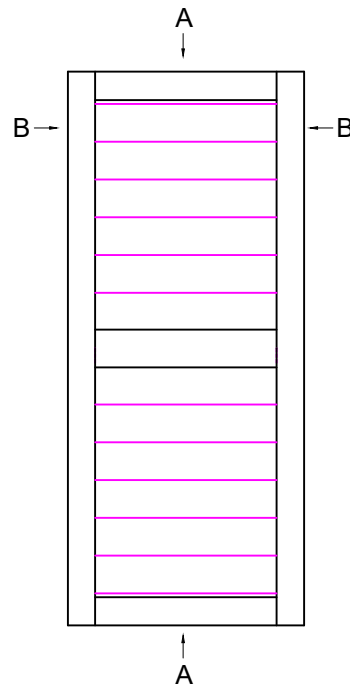


DLI (DOMESTIC LOUVRE INTERNAL) FIXED LOUVRE / FIXED LOUVRE INCL. MIDRAIL FRAMELESS CONFIGURATION

A-A



INSIDE

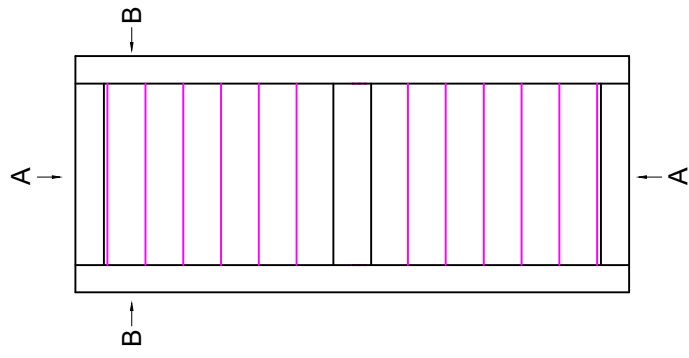


SCALE 1:2

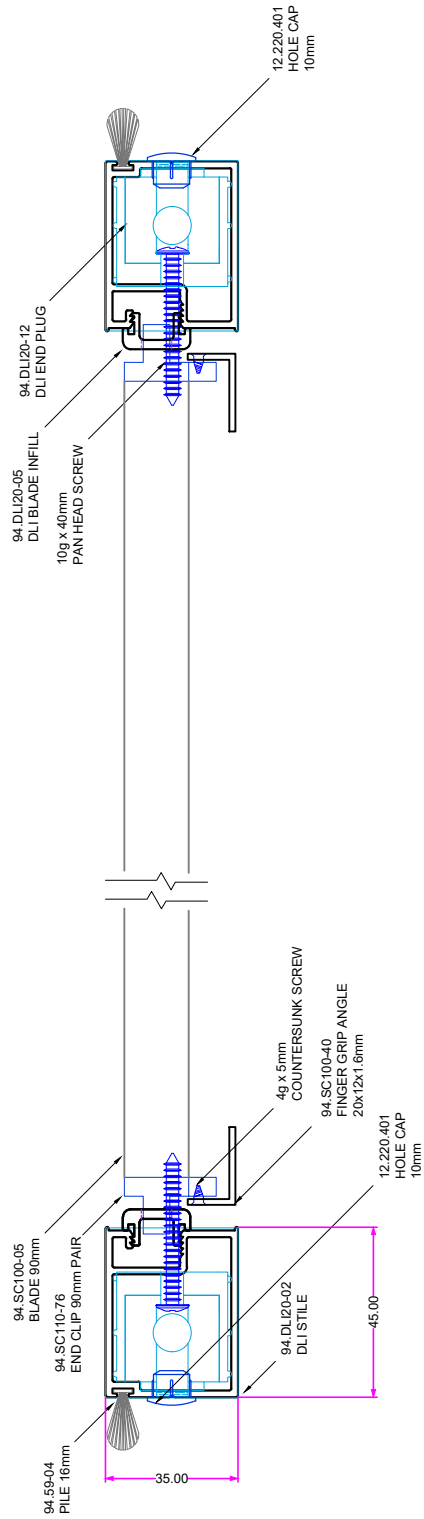
OZROLL DLI 02.07



DLI (DOMESTIC LOUVRE INTERNAL) FIXED LOUVRE / FIXED LOUVRE INCL. MIDRAIL FRAMELESS CONFIGURATION



B-B

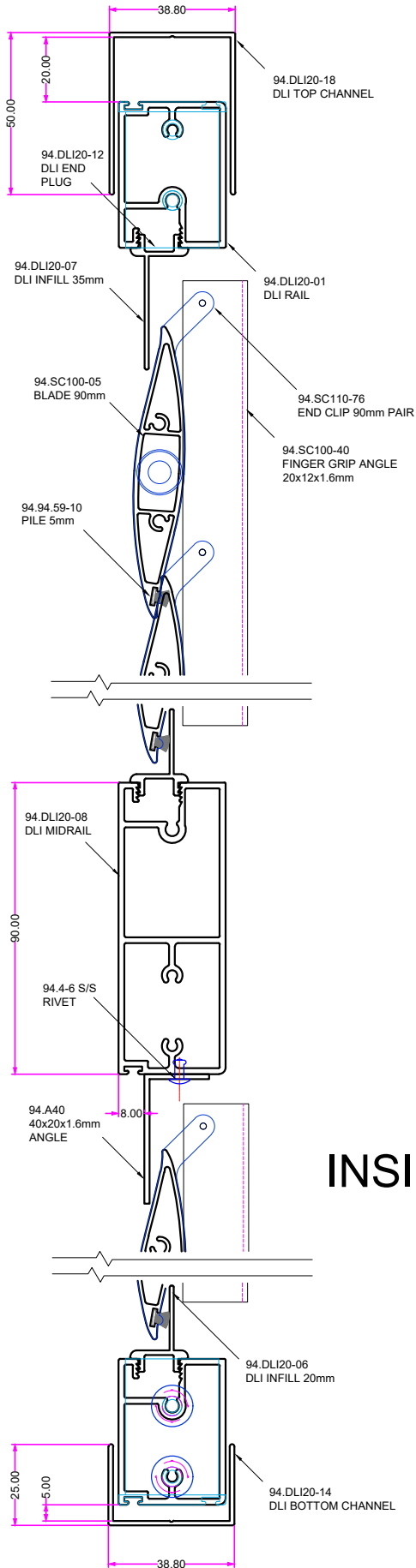


INSIDE

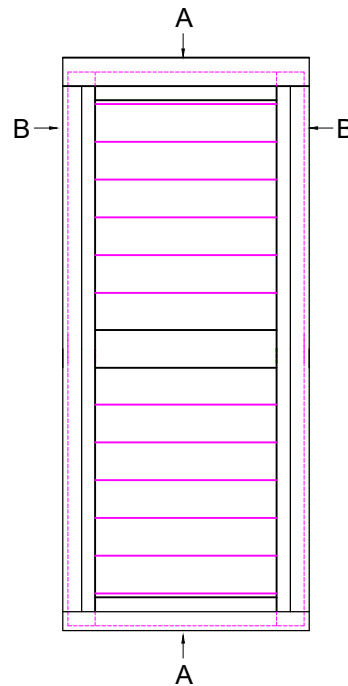


DLI (DOMESTIC LOUVRE INTERNAL) FIXED LOUVRE / FIXED LOUVRE INCL. MIDRAIL FRAMED CONFIGURATION

A-A



INSIDE

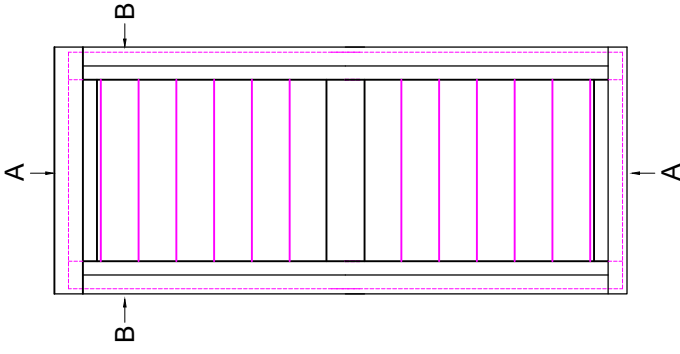


SCALE 1:2

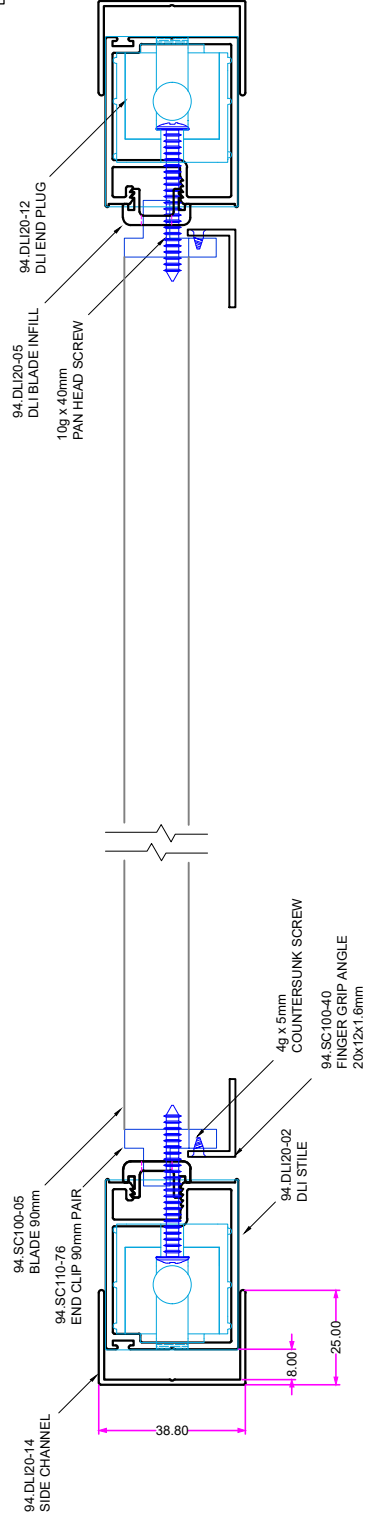
OZROLL DLI 02.09



**DLI (DOMESTIC LOUVRE INTERNAL)
FIXED LOUVRE / FIXED LOUVRE INCL. MIDRAIL
FRAMED CONFIGURATION**



B-B



SCALE 1:2

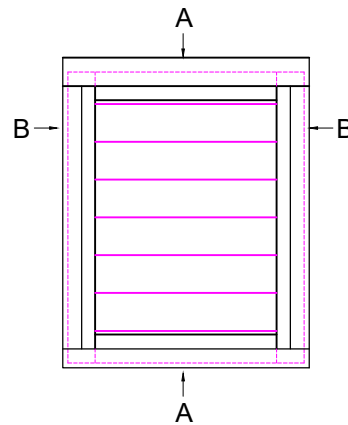
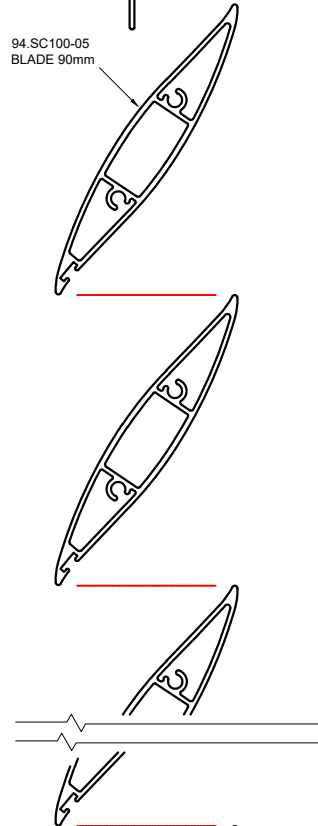
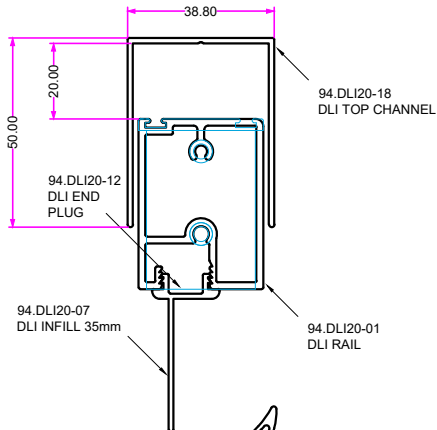
OZROLL DLI 02.10

INSIDE

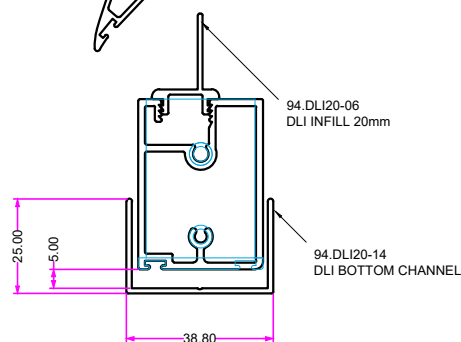


DLI (DOMESTIC LOUVRE INTERNAL) FIXED LOUVRE FRAMED (FIXED BLADE) CONFIGURATION

A-A



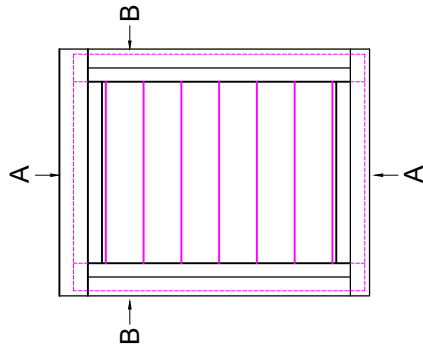
INSIDE



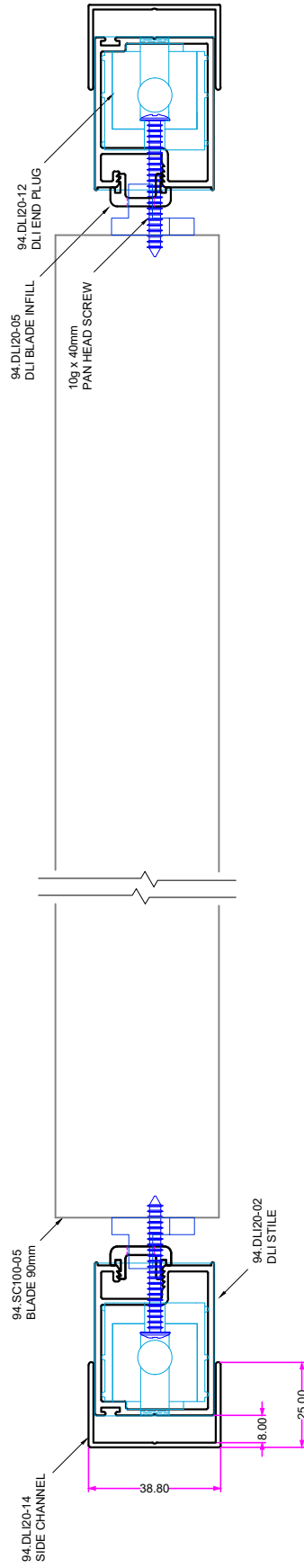
SCALE 1:2



DLI (DOMESTIC LOUVRE INTERNAL) FIXED LOUVRE FRAMED (FIXED BLADE) CONFIGURATION



B-B



INSIDE

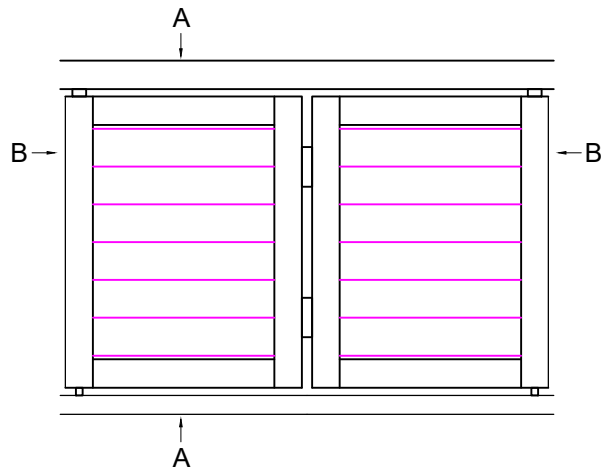
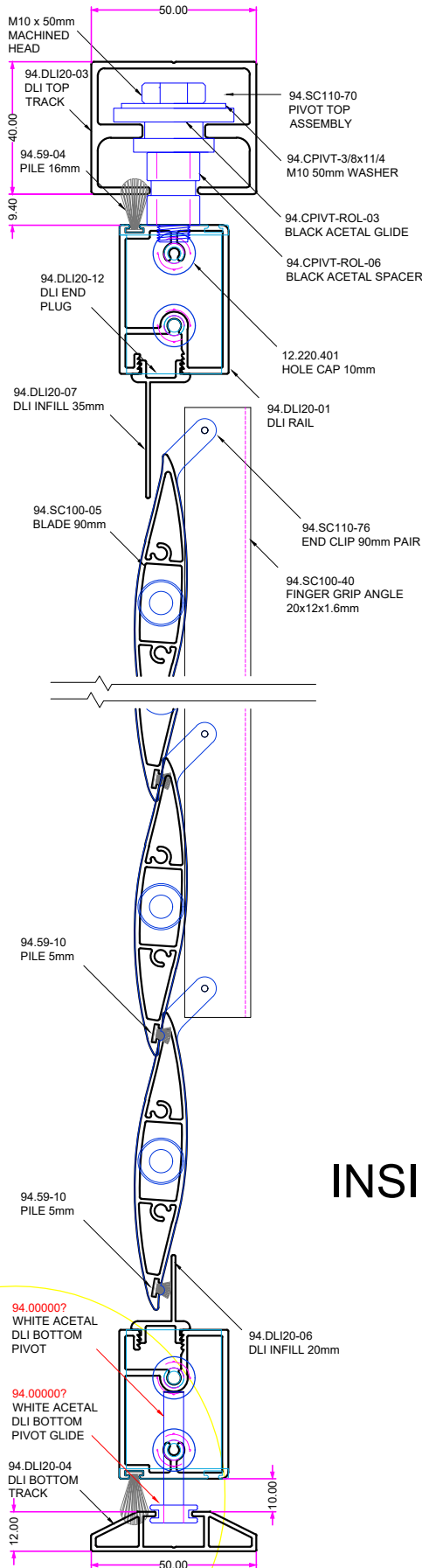


SCALE 1:2

OZROLL DLI 02.12

DLI (DOMESTIC LOUVRE INTERNAL) BI-FOLD LOUVRE FOLDING IN CONFIGURATION

A-A

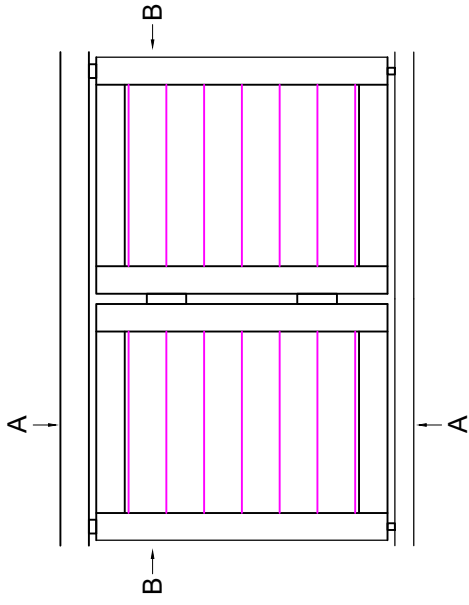


INSIDE

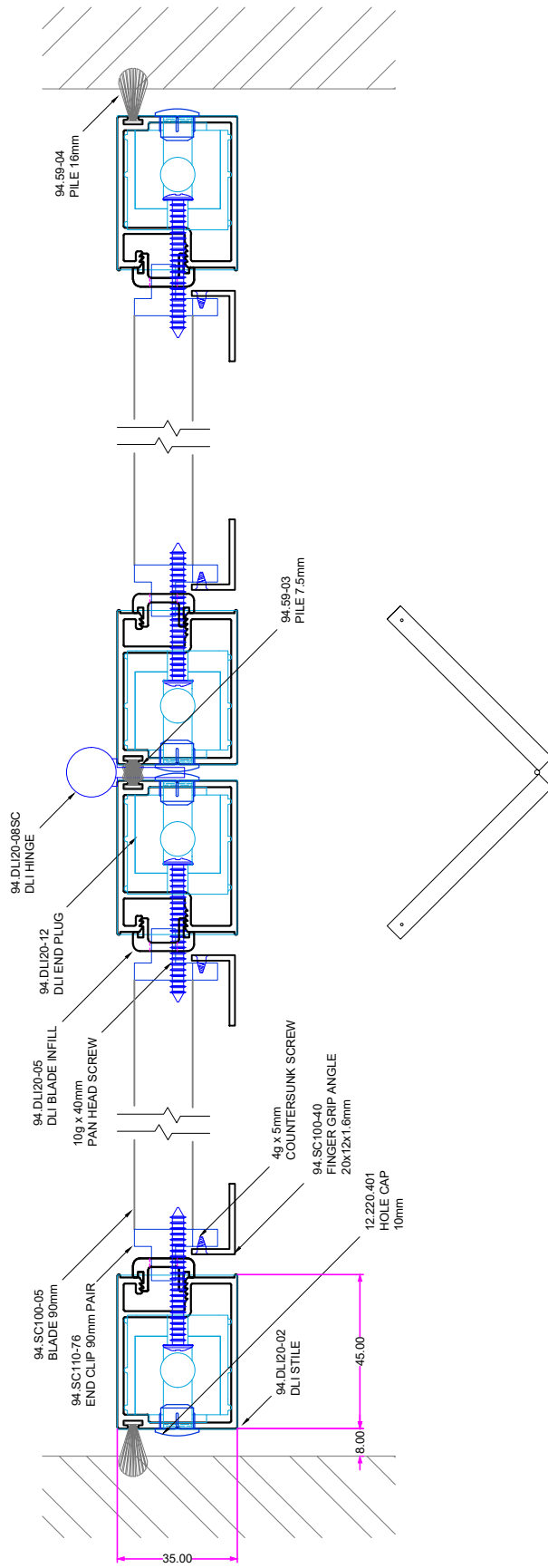
SCALE 1:2



DLI (DOMESTIC LOUVRE INTERNAL) BI-FOLD LOUVRE FOLDING IN CONFIGURATION



B-B

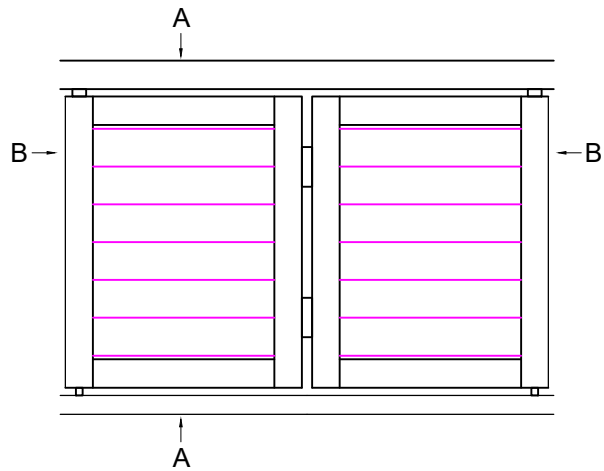
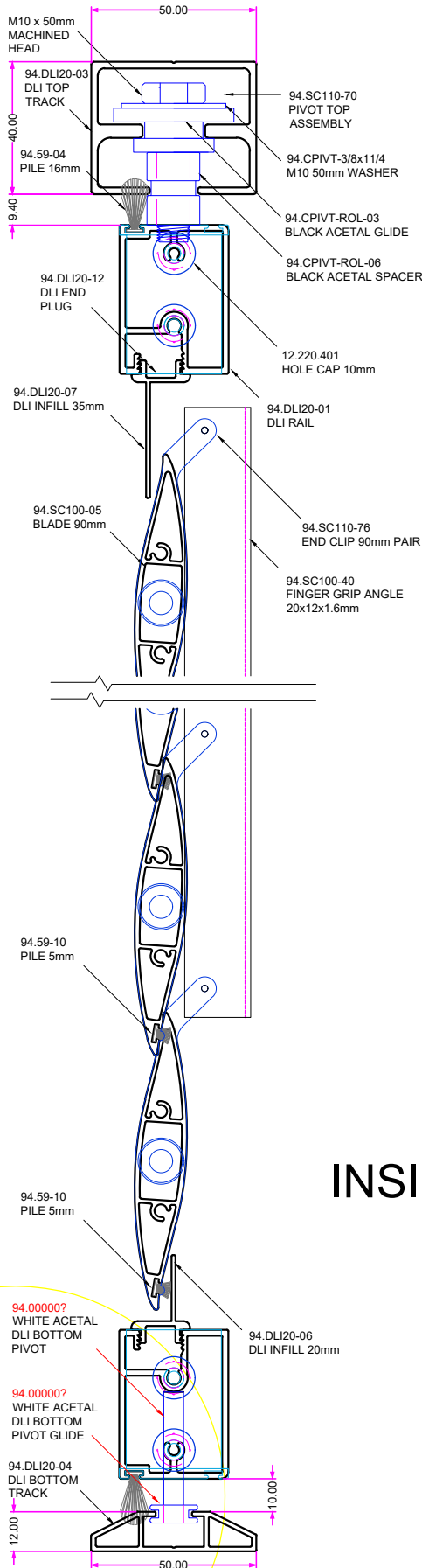


INSIDE



DLI (DOMESTIC LOUVRE INTERNAL) BI-FOLD LOUVRE FOLDING OUT CONFIGURATION

A-A



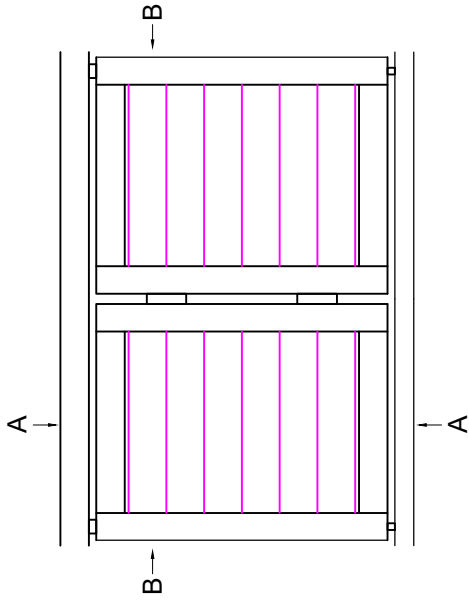
INSIDE

SCALE 1:2

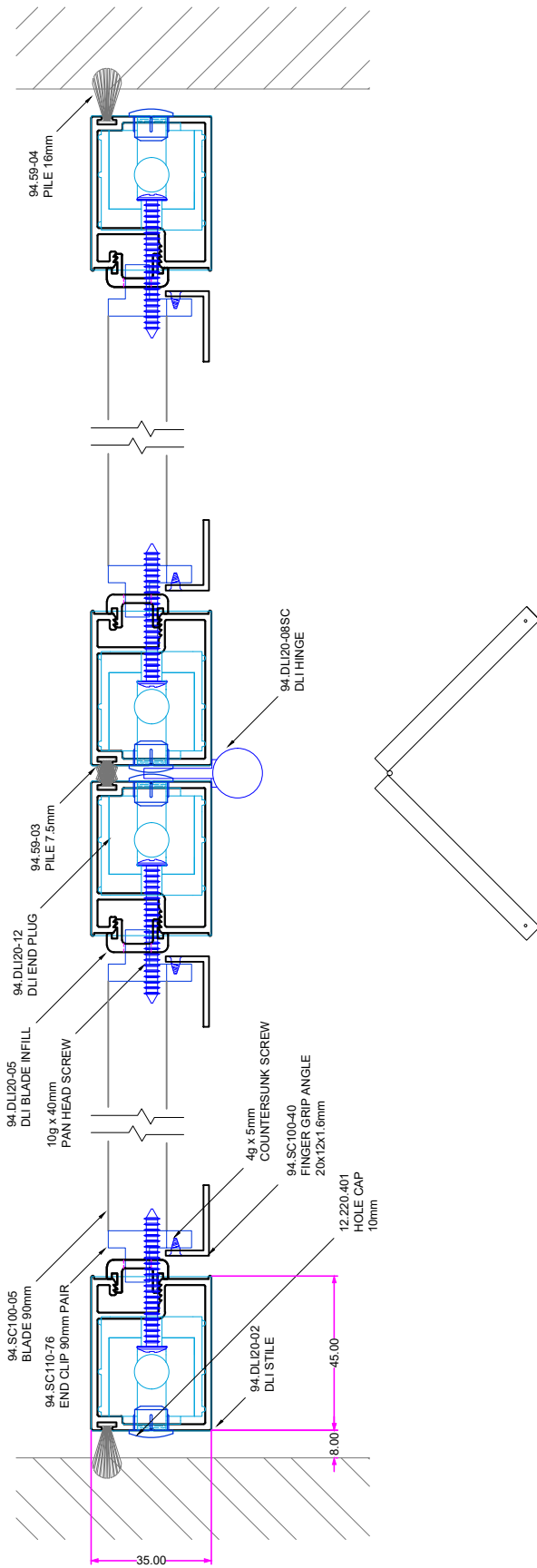
OZROLL DLI 02.15



DLI (DOMESTIC LOUVRE INTERNAL) BI-FOLD LOUVRE FOLDING OUT CONFIGURATION



B-B

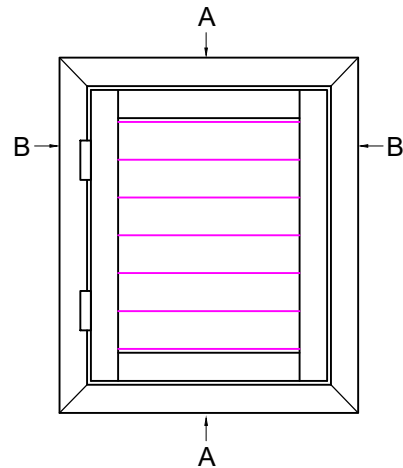
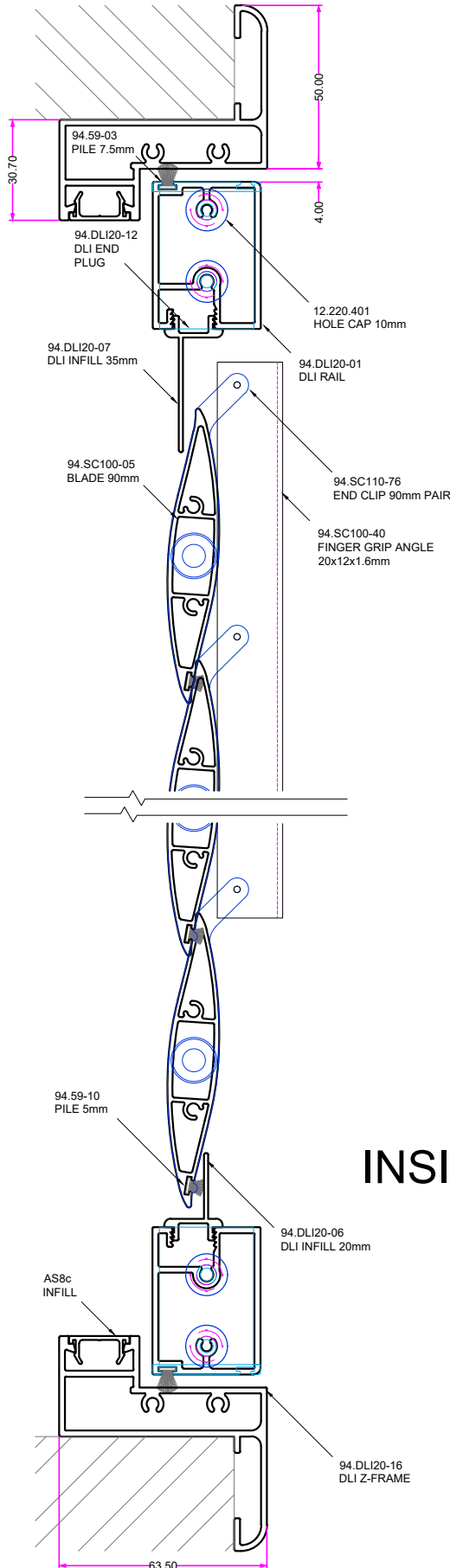


INSIDE



DLI (DOMESTIC LOUVRE INTERNAL) HINGED LOUVRE Z REVEAL FRAME OPENING IN CONFIGURATION

A-A

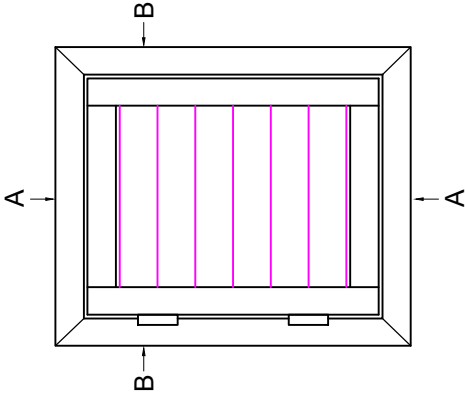


INSIDE

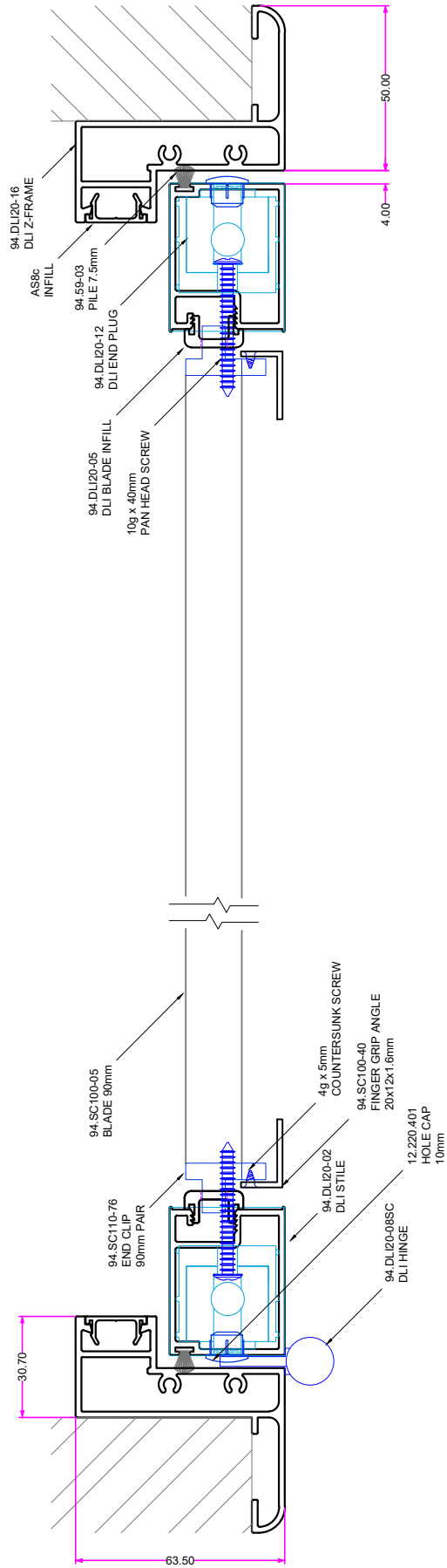
SCALE 1:2



DLI (DOMESTIC LOUVRE INTERNAL) HINGED LOUVRE Z REVEAL FRAME OPENING IN CONFIGURATION



B-B

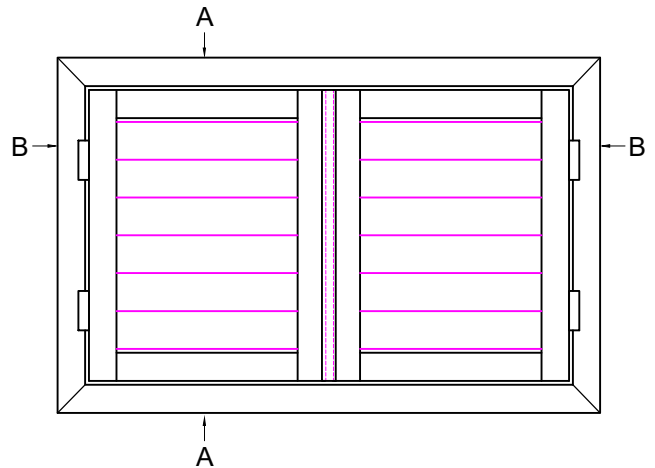
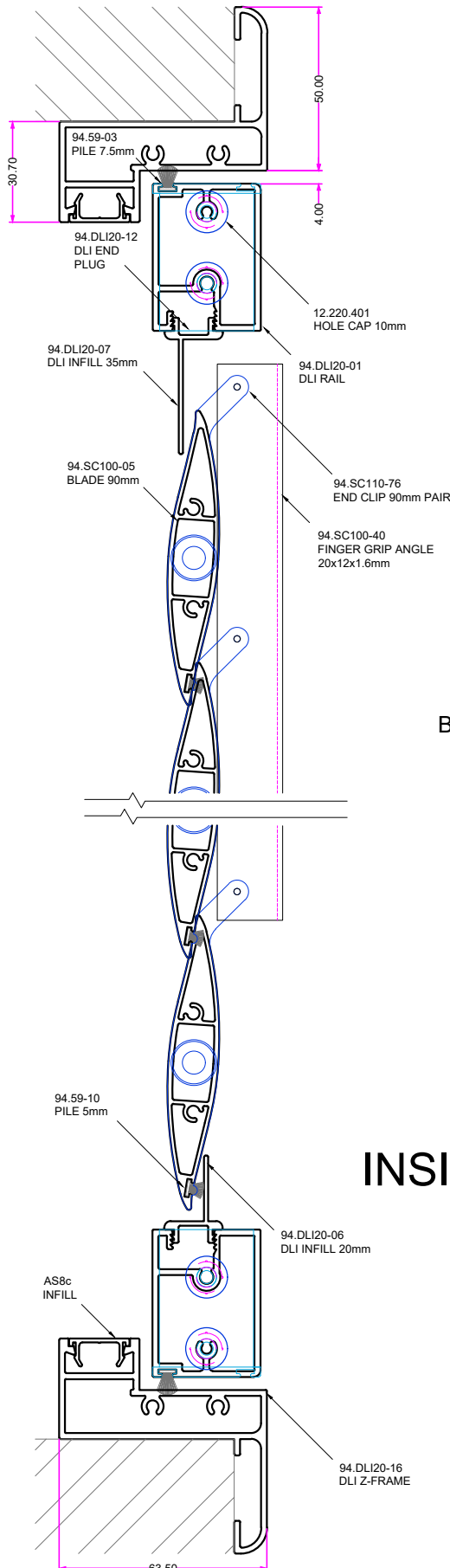


INSIDE



DLI (DOMESTIC LOUVRE INTERNAL) HINGED LOUVRE-HINGED LOUVRE Z REVEAL FRAME OPENING IN CONFIGURATION

A-A

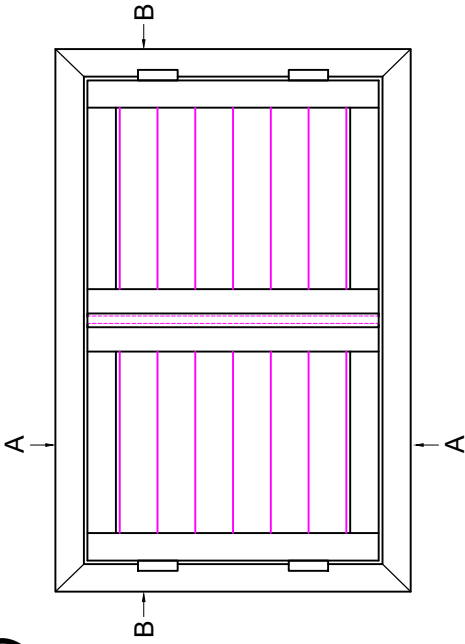


INSIDE

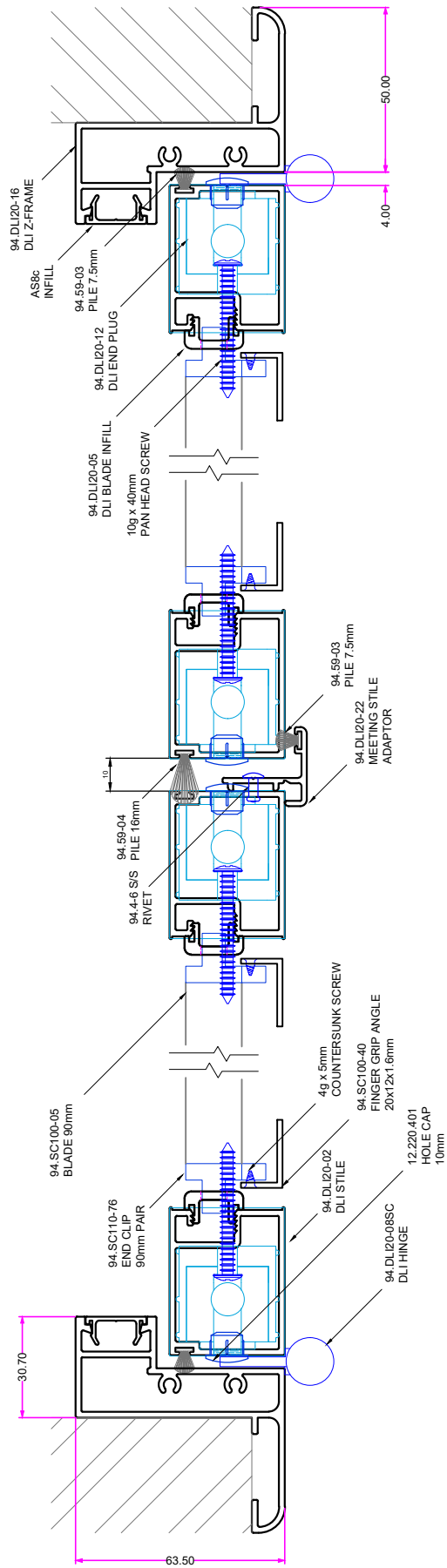
SCALE 1:2



DLI (DOMESTIC LOUVRE INTERNAL) HINGED LOUVRE-HINGED LOUVRE Z REVEAL FRAME OPENING IN CONFIGURATION



B-B

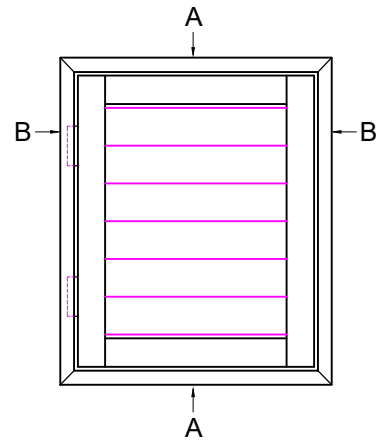
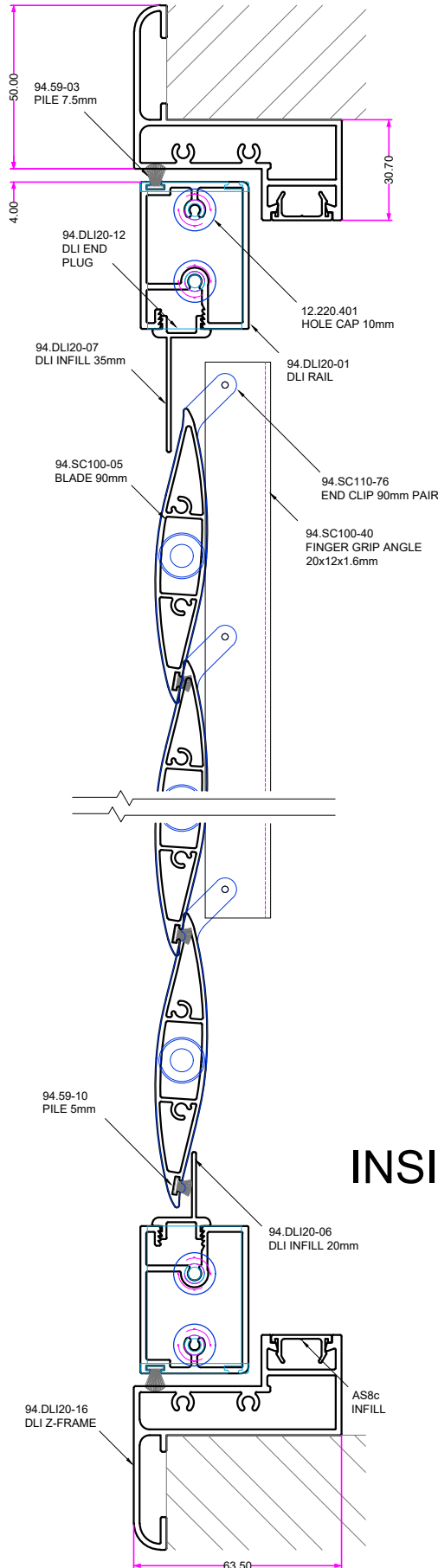


INSIDE



DLI (DOMESTIC LOUVRE INTERNAL) HINGED LOUVRE-HINGED LOUVRE Z REVEAL FRAME OPENING IN CONFIGURATION

A-A



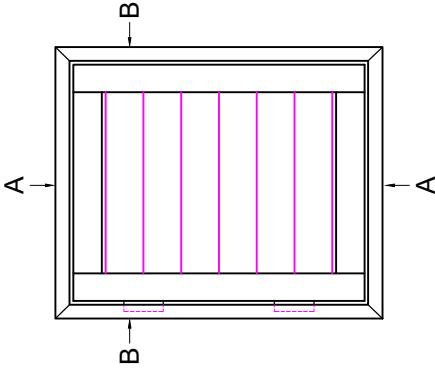
INSIDE

SCALE 1:2

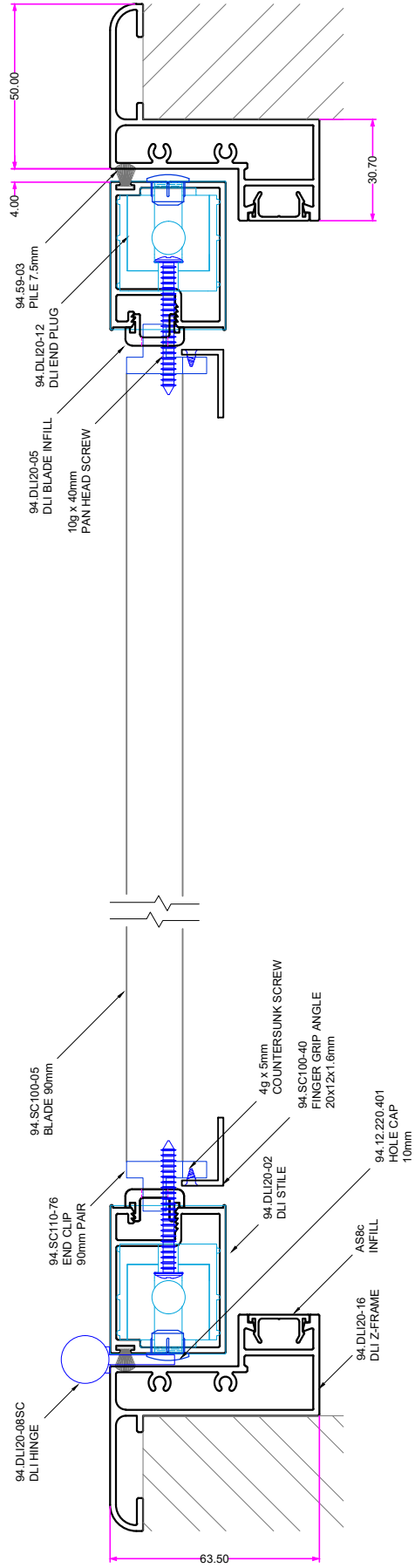
OZROLL DLI 02.21



DLI (DOMESTIC LOUVRE INTERNAL) HINGED LOUVRE Z REVEAL FRAME OPENING OUT CONFIGURATION



B-B

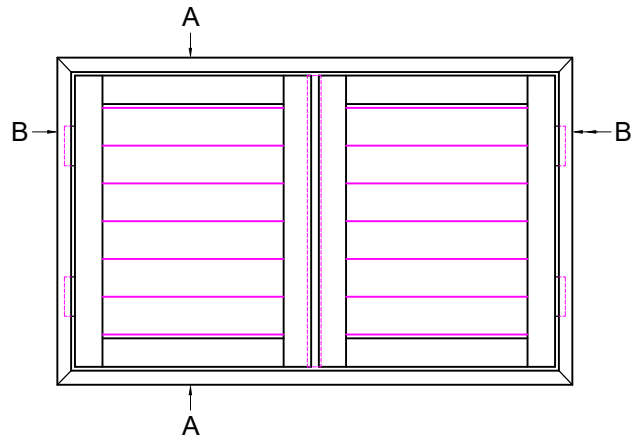
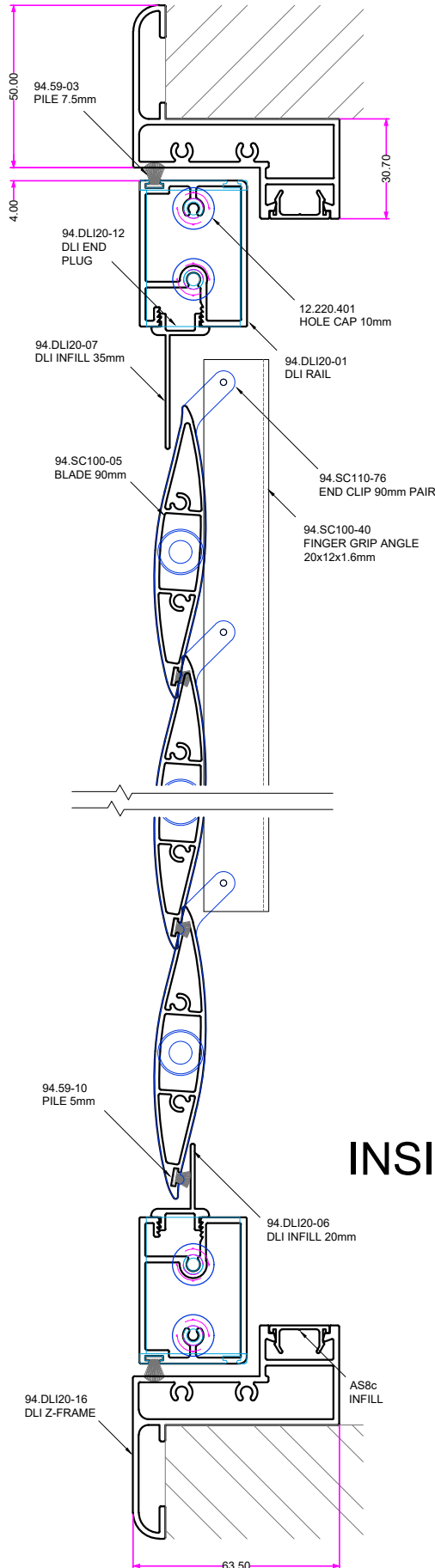


INSIDE



DLI (DOMESTIC LOUVRE INTERNAL) HINGED LOUVRE-HINGED LOUVRE Z REVEAL FRAME OPENING IN CONFIGURATION

A-A



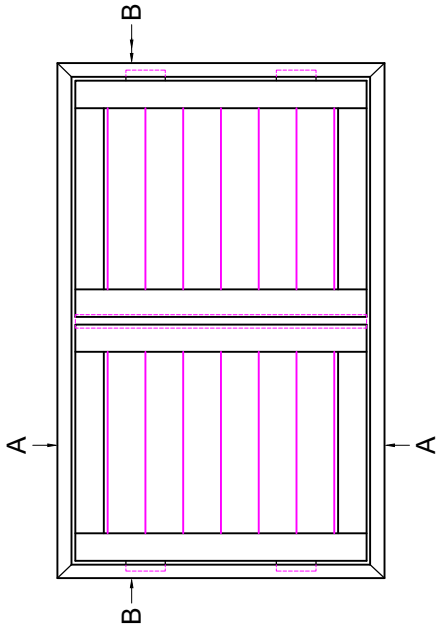
INSIDE

SCALE 1:2

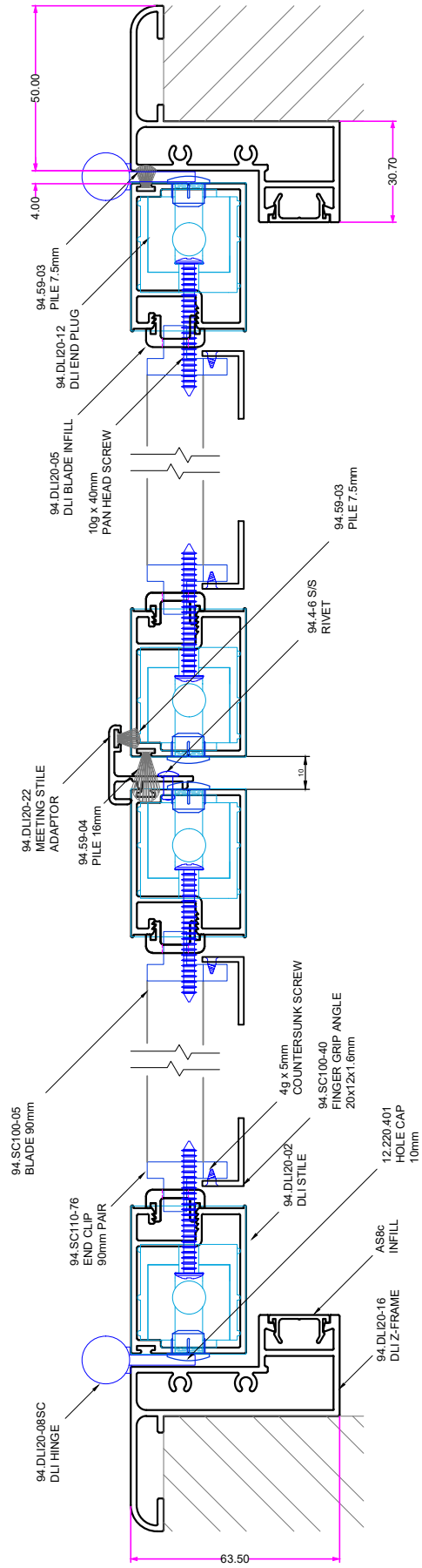
OZROLL DLI 02.23



DLI (DOMESTIC LOUVRE INTERNAL) HINGED LOUVRE-HINGED LOUVRE Z REVEAL FRAME OPENING IN CONFIGURATION



B-B



SCALE 1:2

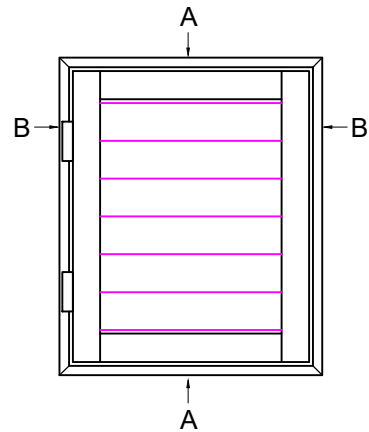
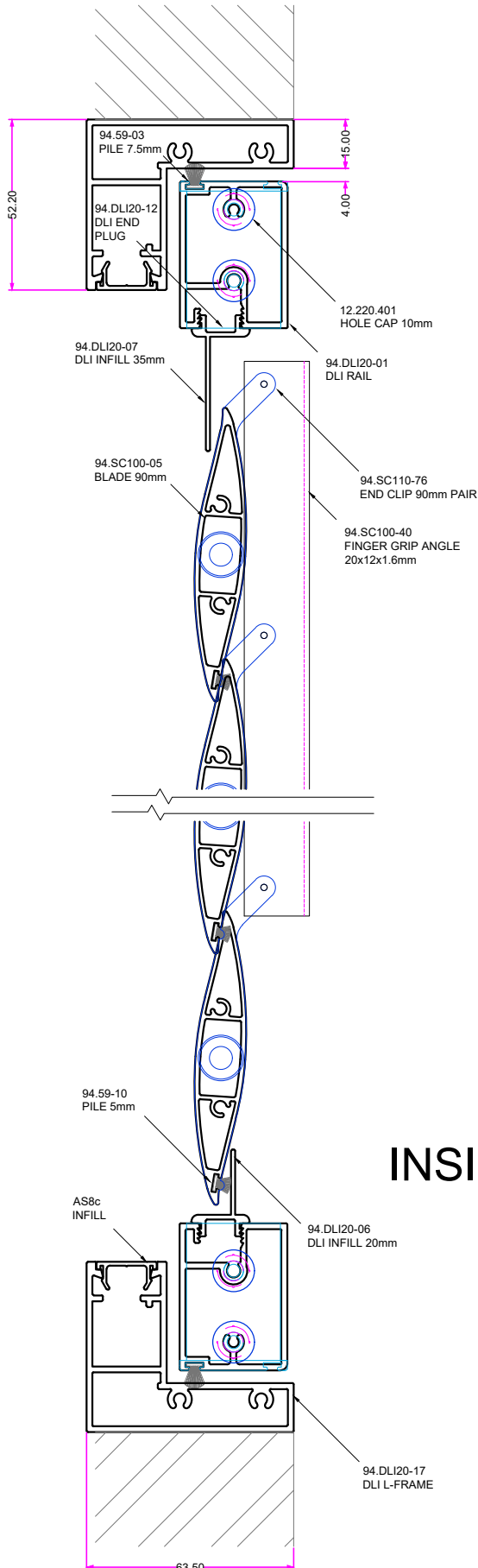
OZROLL DLI 02.24

INSIDE



DLI (DOMESTIC LOUVRE INTERNAL) HINGED LOUVRE L REVEAL FRAME OPENING IN CONFIGURATION

A-A



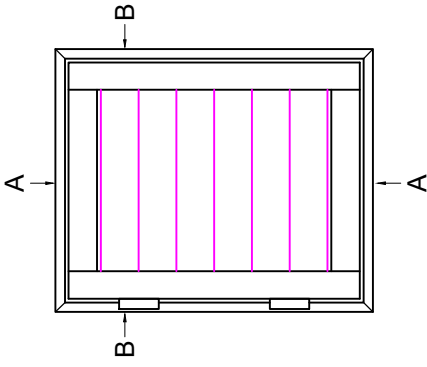
INSIDE

SCALE 1:2

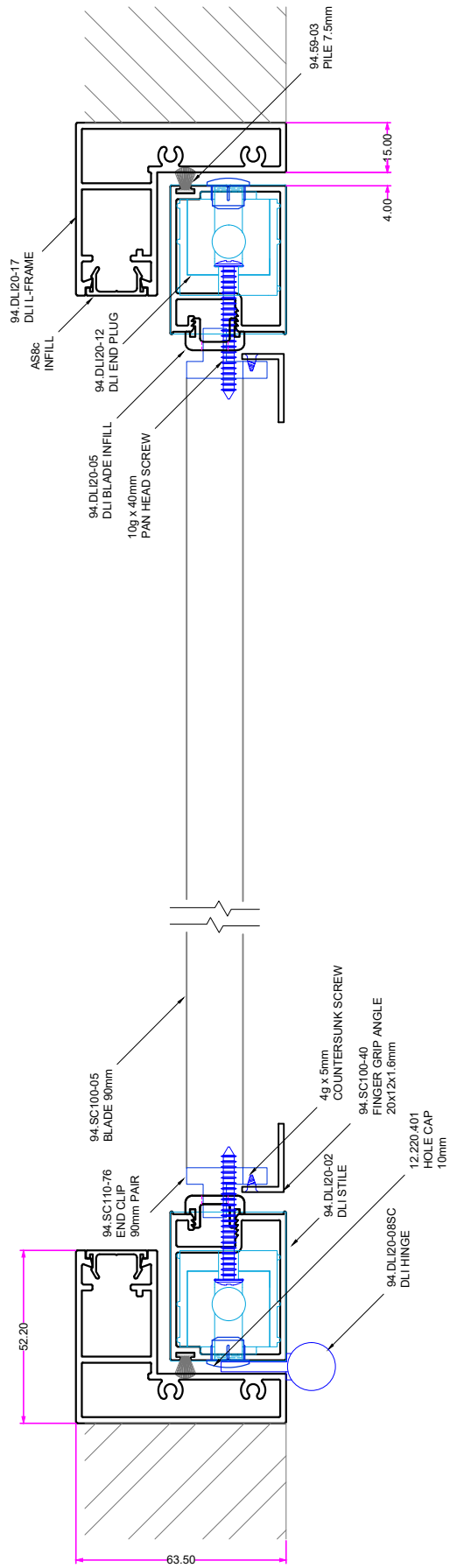
OZROLL DLI 02.25



DLI (DOMESTIC LOUVRE INTERNAL) HINGED LOUVRE L REVEAL FRAME OPENING IN CONFIGURATION



B-B

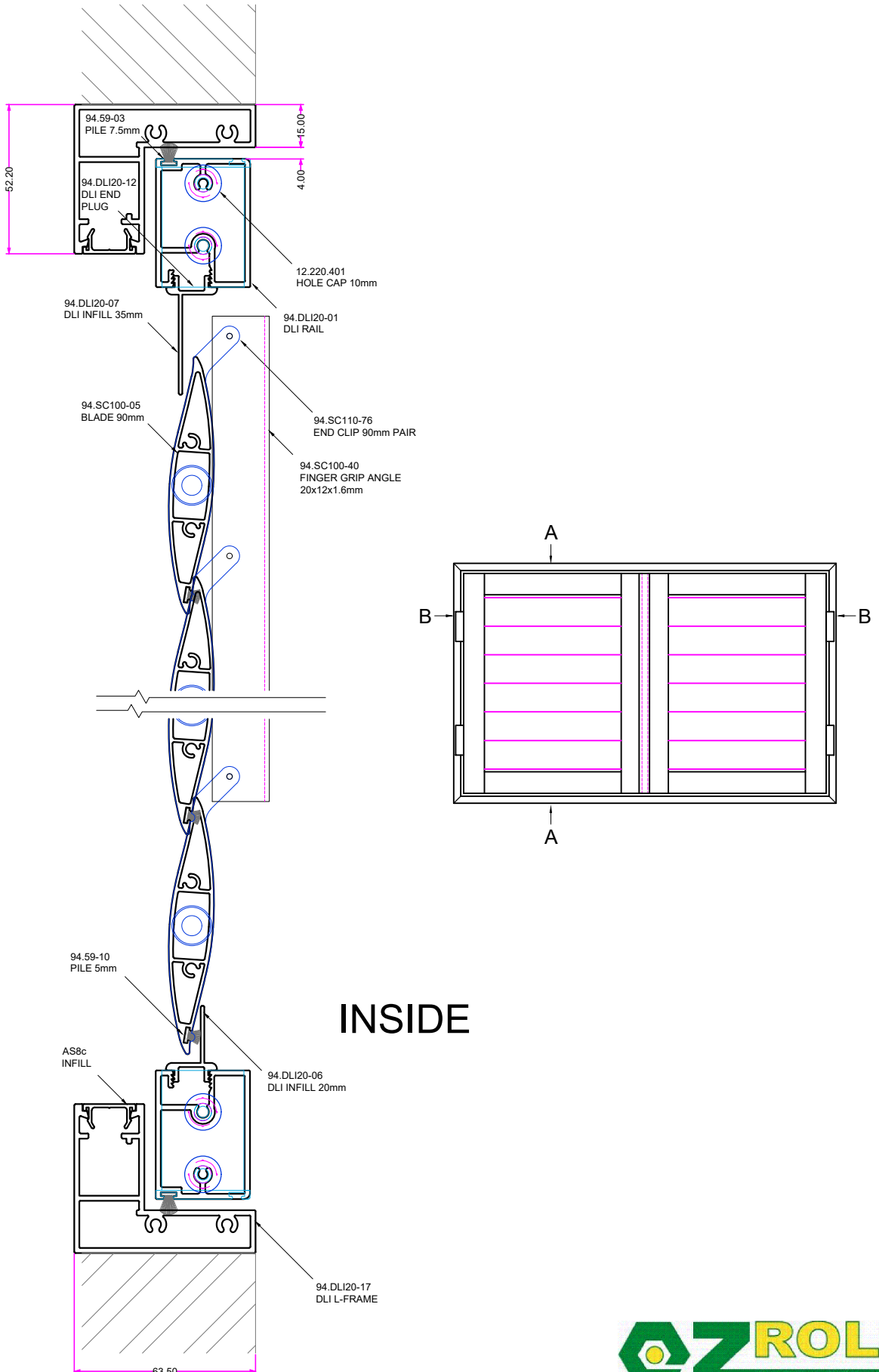


INSIDE



DLI (DOMESTIC LOUVRE INTERNAL) HINGED LOUVRE-HINGED LOUVRE L REVEAL FRAME OPENING IN CONFIGURATION

A-A

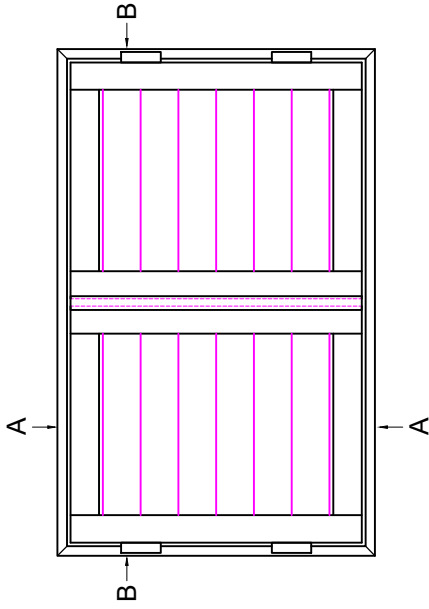


INSIDE

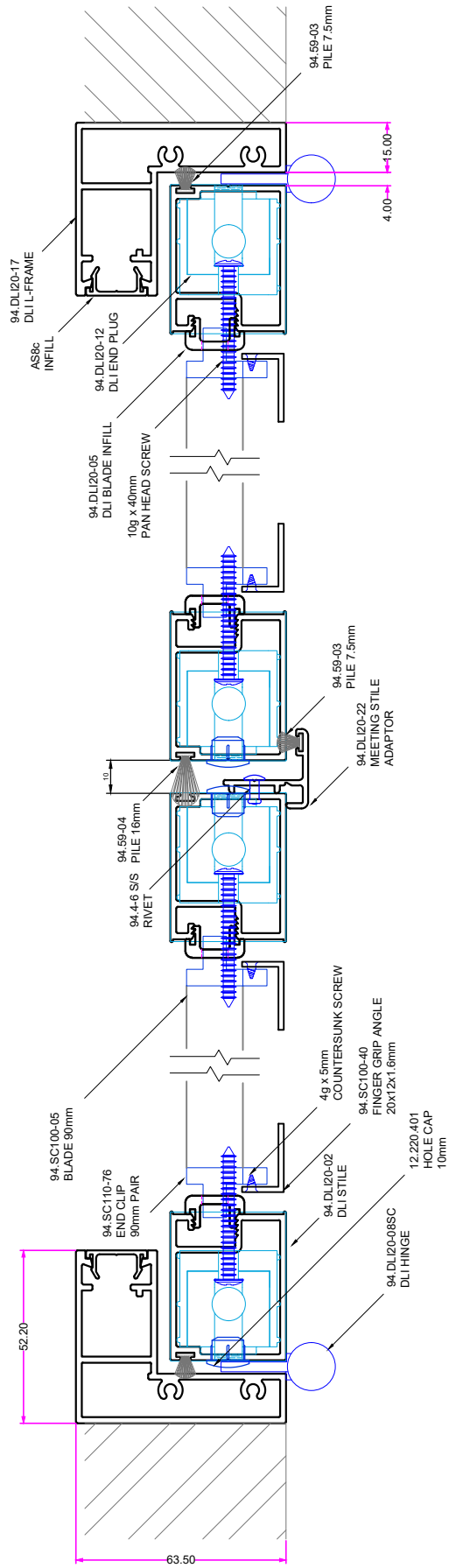
SCALE 1:2



DLI (DOMESTIC LOUVRE INTERNAL) HINGED LOUVRE-HINGED LOUVRE L REVEAL FRAME OPENING IN CONFIGURATION



B-B

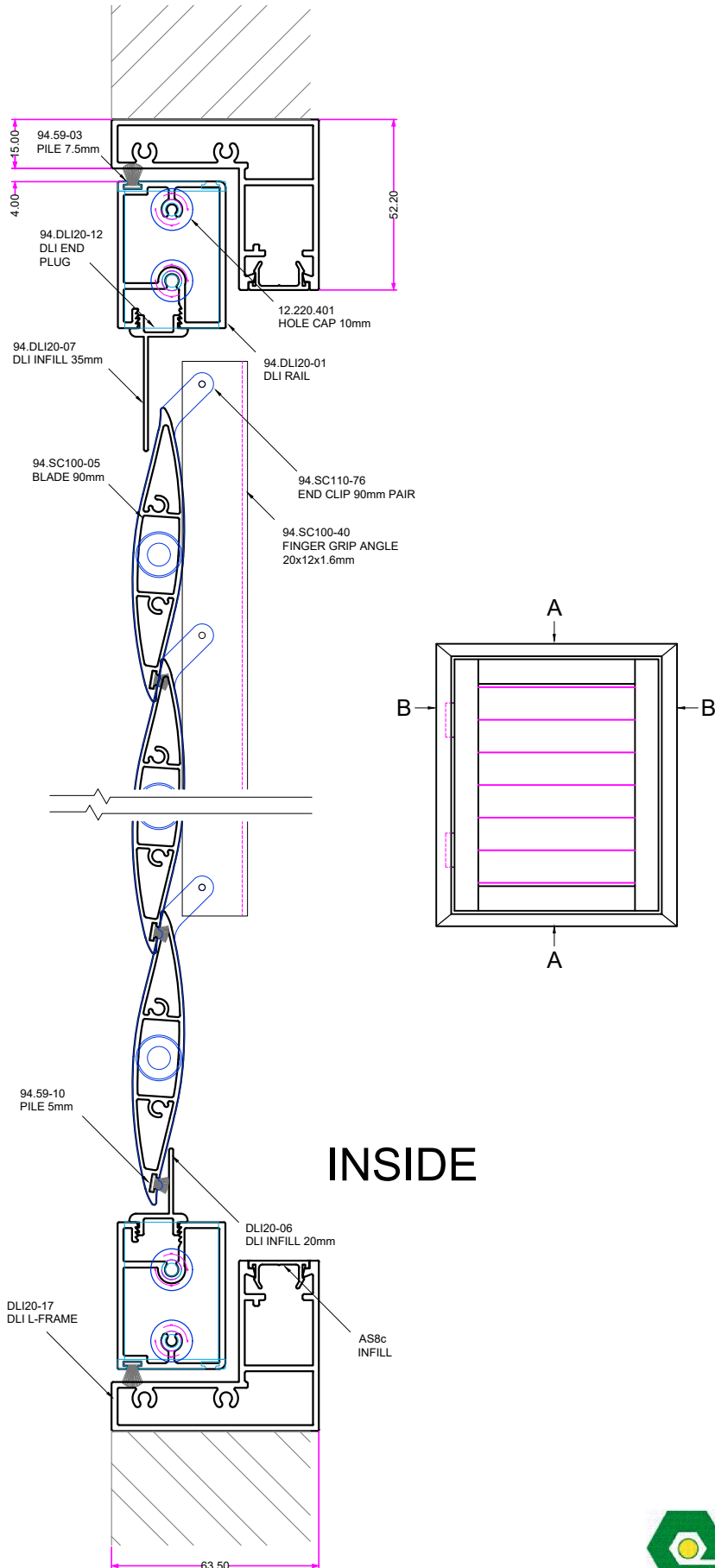


INSIDE



DLI (DOMESTIC LOUVRE INTERNAL) HINGED LOUVRE L REVEAL FRAME OPENING OUT CONFIGURATION

A-A



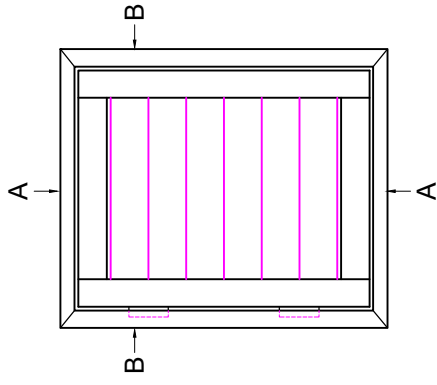
INSIDE

SCALE 1:2

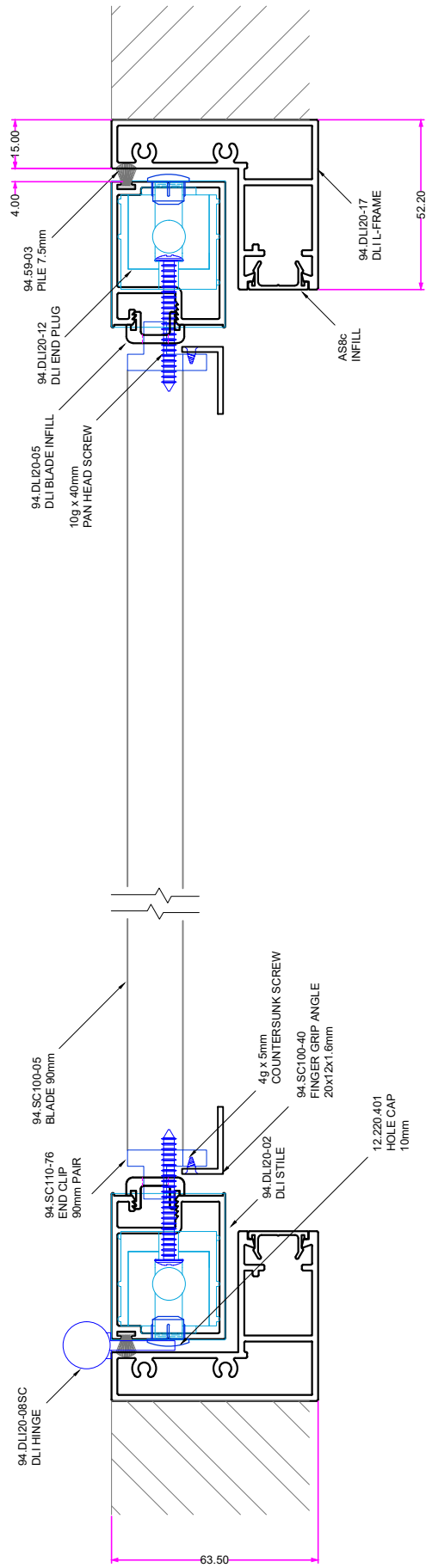
OZROLL DLI 02.29



DLI (DOMESTIC LOUVRE INTERNAL) HINGED LOUVRE L REVEAL FRAME OPENING OUT CONFIGURATION



B-B

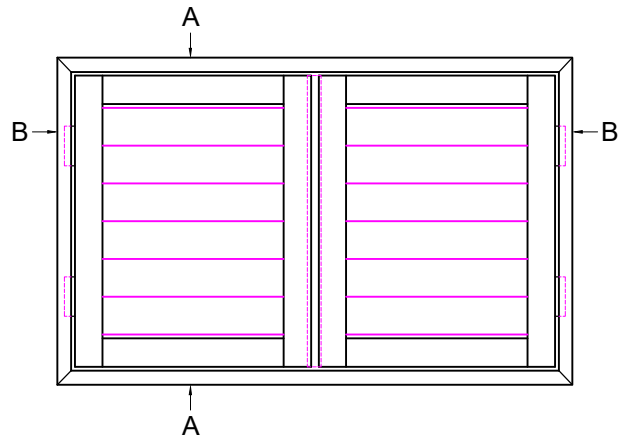
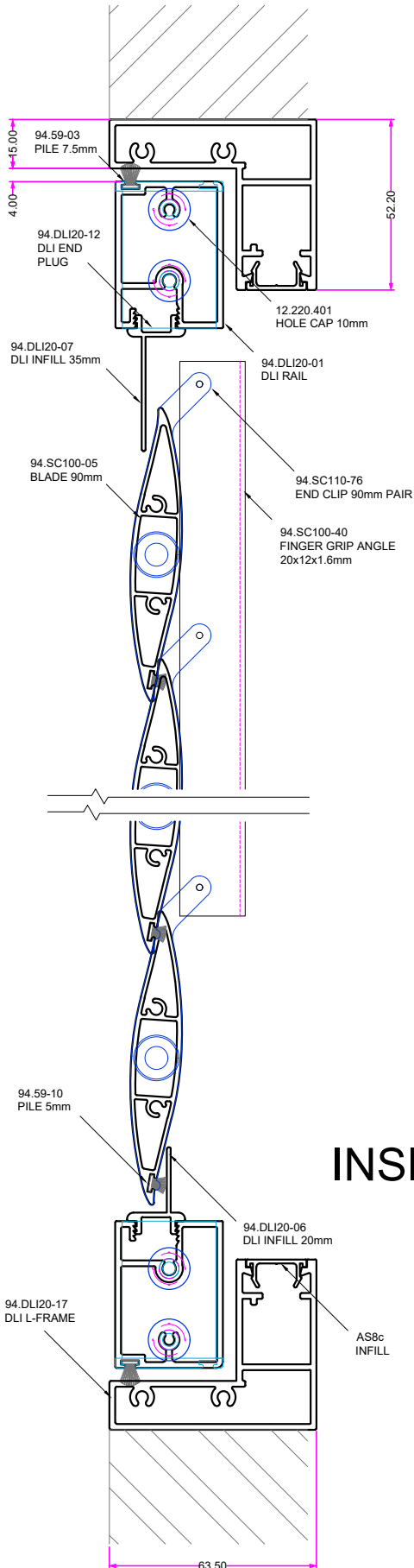


INSIDE



DLI (DOMESTIC LOUVRE INTERNAL) HINGED LOUVRE-HINGED LOUVRE L REVEAL FRAME OPENING OUT CONFIGURATION

A-A



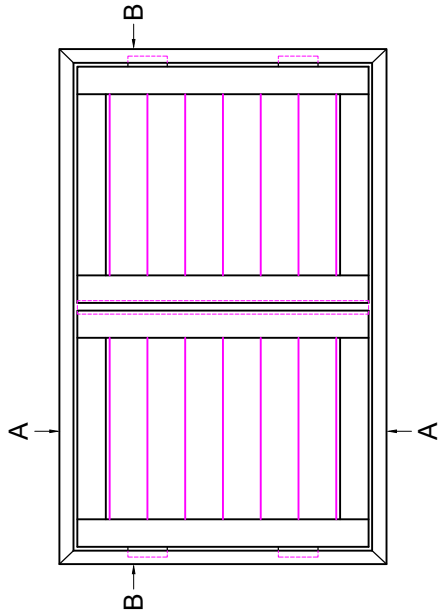
INSIDE

SCALE 1:2

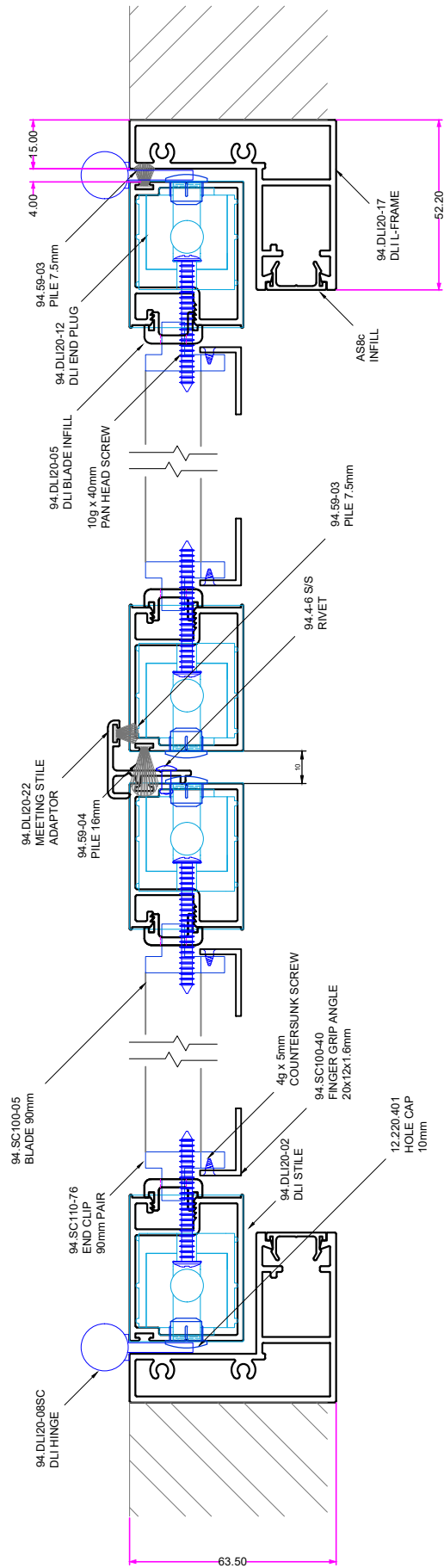
OZROLL DLI 02.31



DLI (DOMESTIC LOUVRE INTERNAL) HINGED LOUVRE-HINGED LOUVRE L REVEAL FRAME OPENING OUT CONFIGURATION



B-B

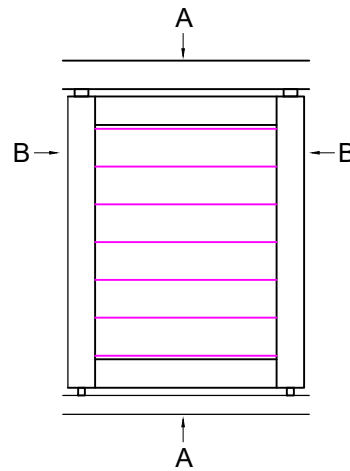
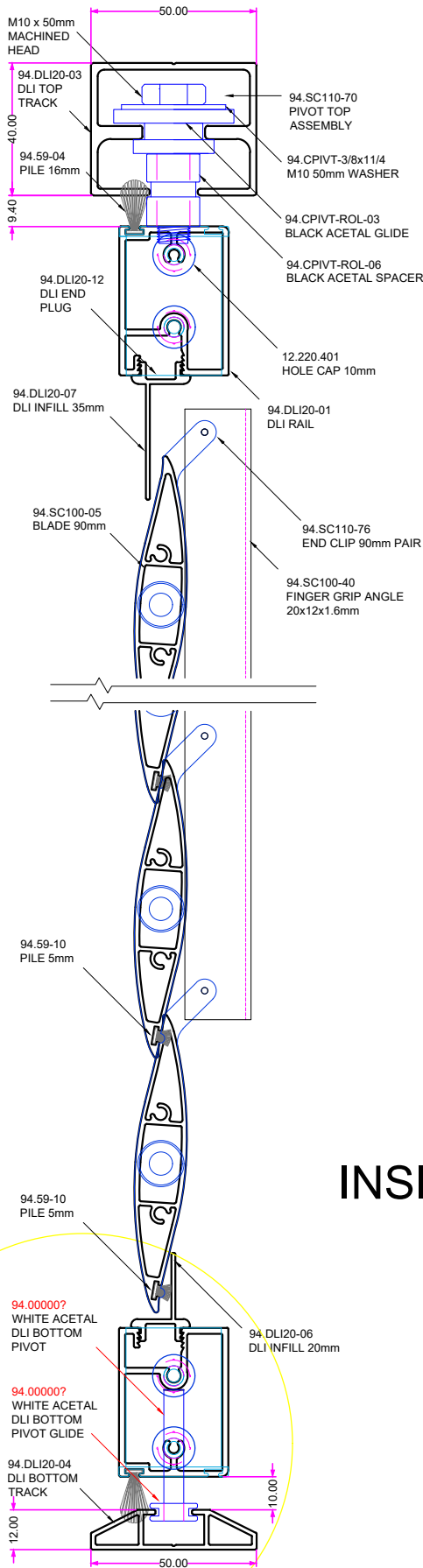


INSIDE



DLI (DOMESTIC LOUVRE INTERNAL) SLIDING LOUVRE CONFIGURATION

A-A

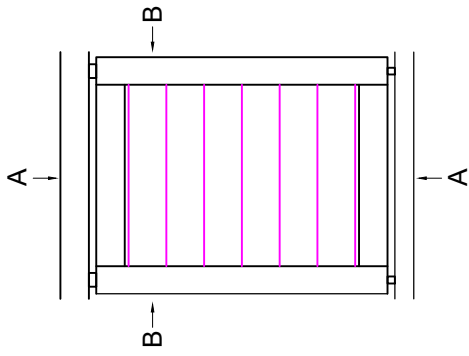


INSIDE

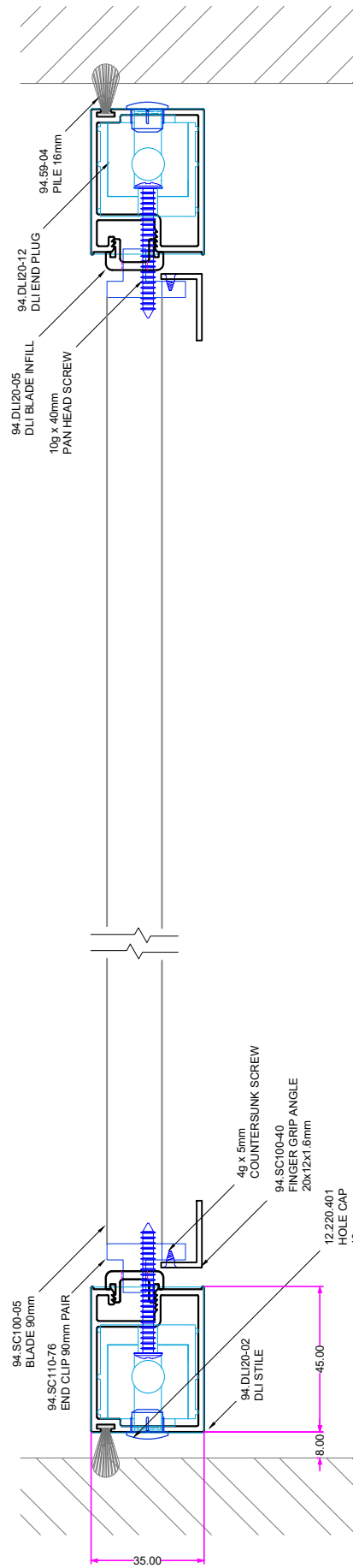
SCALE 1:2



DLI (DOMESTIC LOUVRE INTERNAL) SLIDING LOUVRE CONFIGURATION



B-B

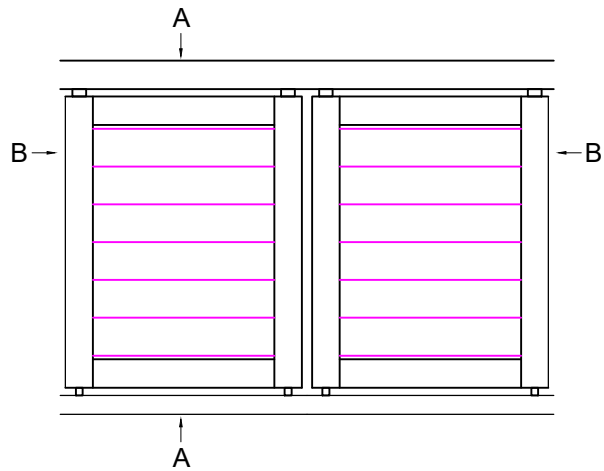
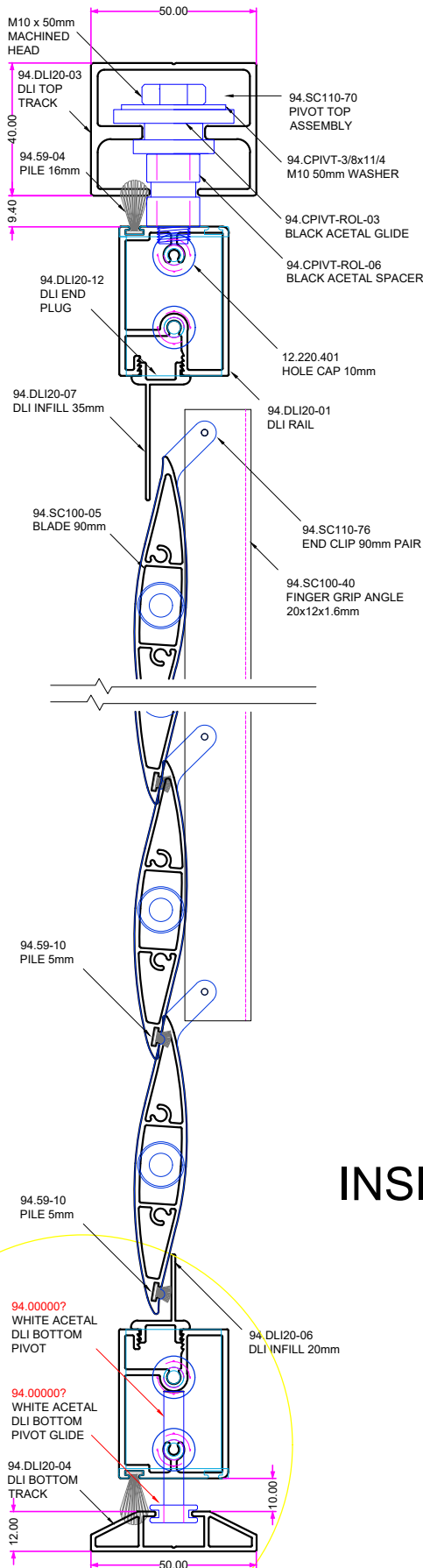


INSIDE



DLI (DOMESTIC LOUVRE INTERNAL) SLIDING LOUVRE-SLIDING LOUVRE CONFIGURATION

A-A

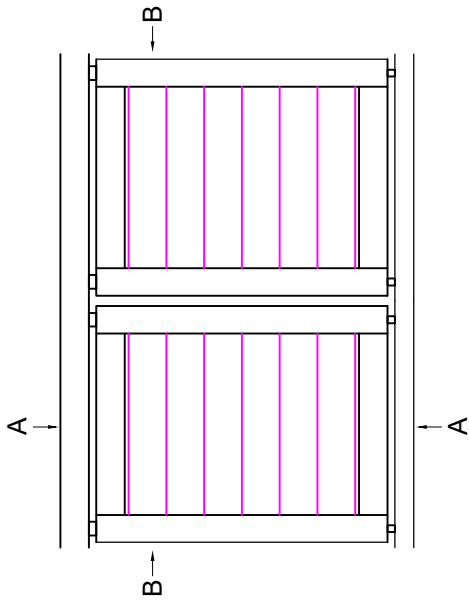


INSIDE

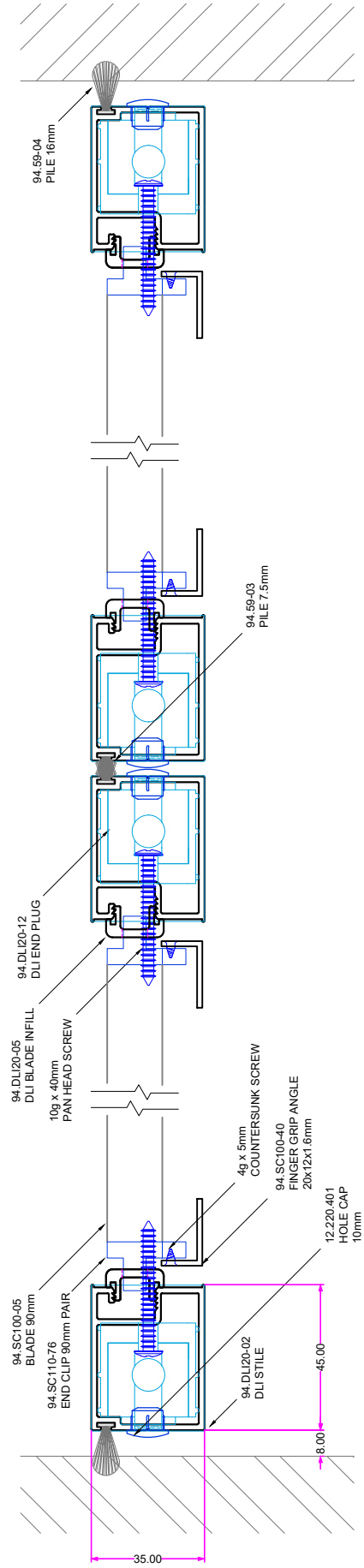
SCALE 1:2



DLI (DOMESTIC LOUVRE INTERNAL) SLIDING LOUVRE-SLIDING LOUVRE CONFIGURATION



B-B



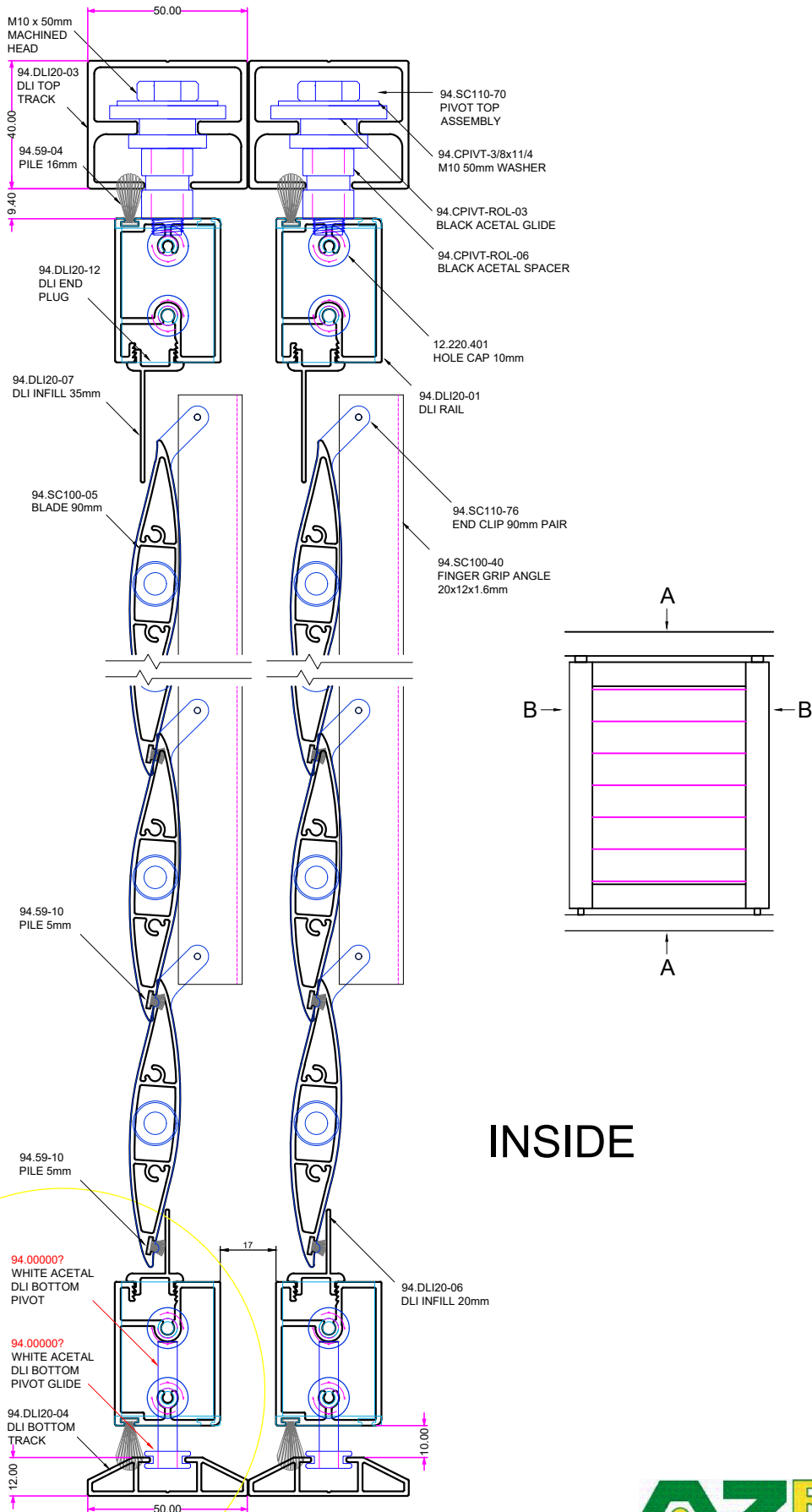
SCALE 1:2

OZROLL DLI 02.36



DLI (DOMESTIC LOUVRE INTERNAL) SLIDING LOUVRE STACKING CLOSED TRACK CONFIGURATION

A-A

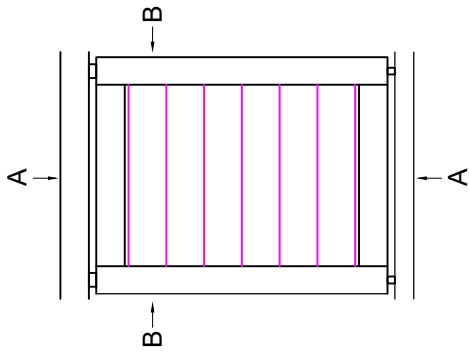


SCALE 1:2

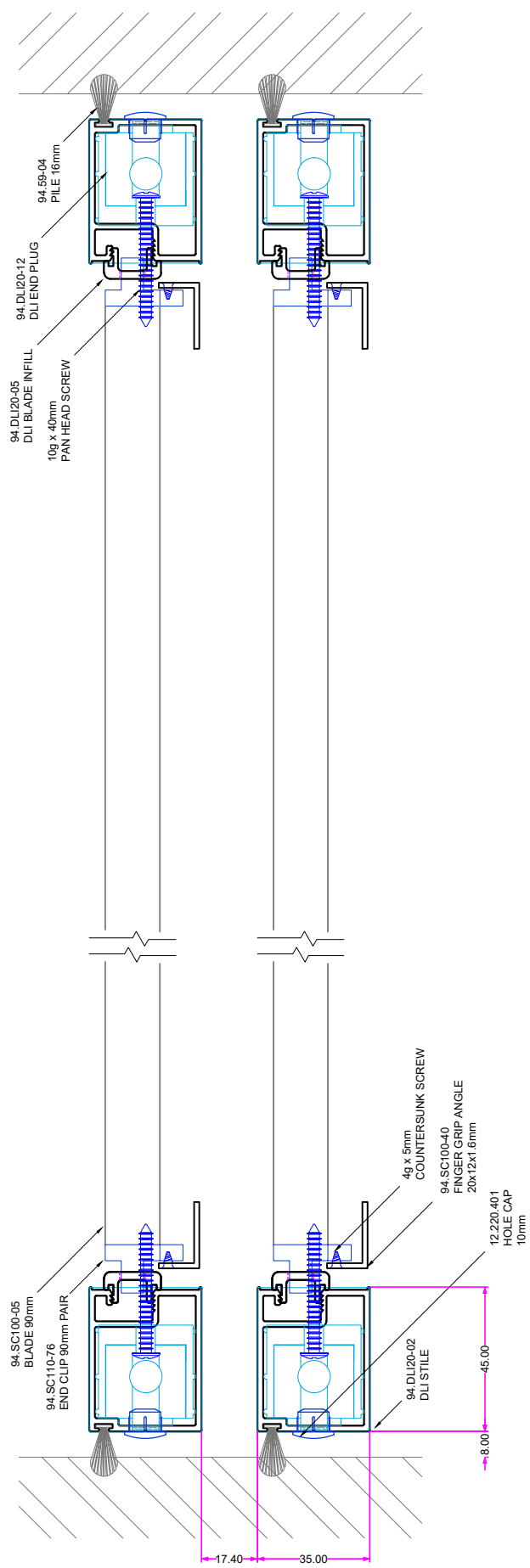
OZROLL DLI 02.37



DLI (DOMESTIC LOUVRE INTERNAL) SLIDING LOUVRE STACKING CLOSED TRACK CONFIGURATION



B-B



INSIDE

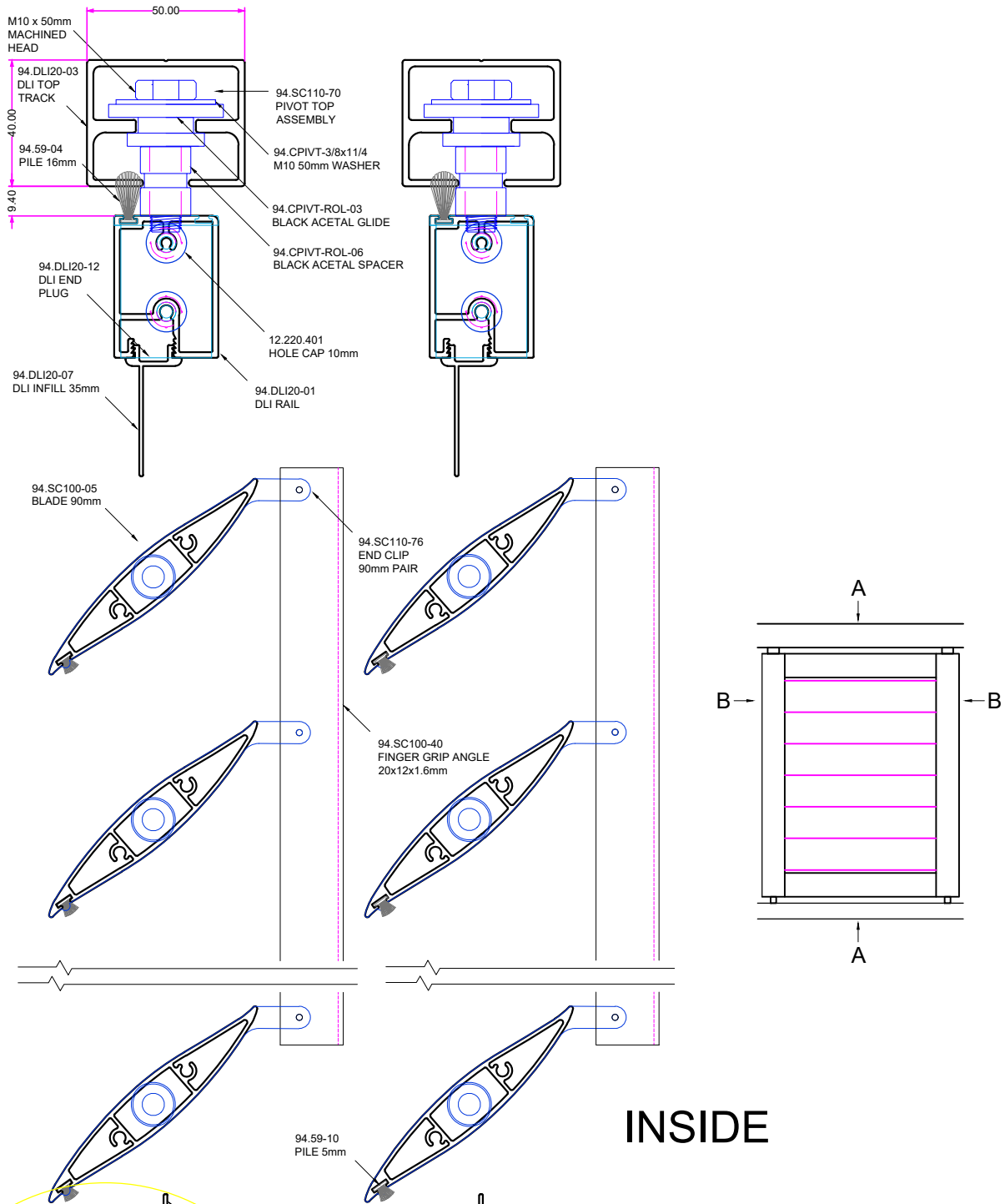


SCALE 1:2

OZROLL DLI 02.38

DLI (DOMESTIC LOUVRE INTERNAL) SLIDING LOUVRE-SLIDING LOUVRE STACKING OPEN TRACK CONFIGURATION

A-A

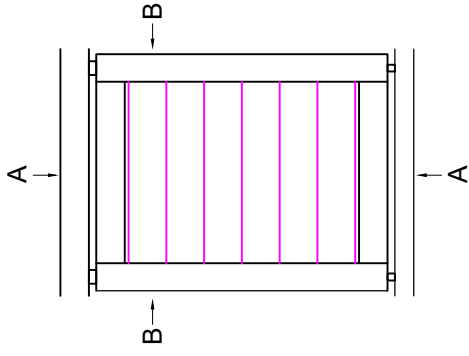


INSIDE

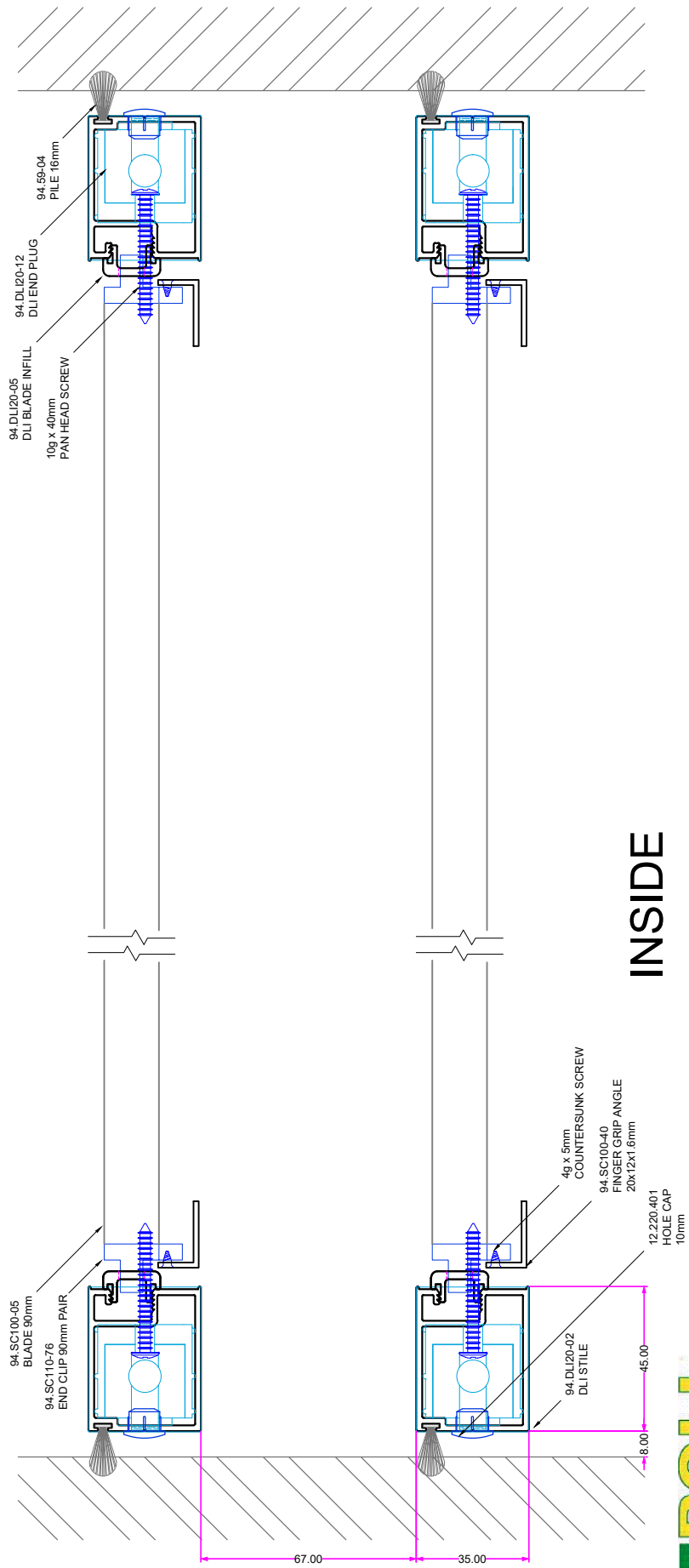
SCALE 1:2



DLI (DOMESTIC LOUVRE INTERNAL) SLIDING LOUVRE-SLIDING LOUVRE STACKING OPEN TRACK CONFIGURATION



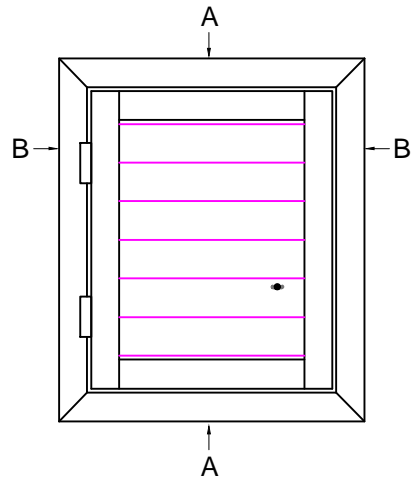
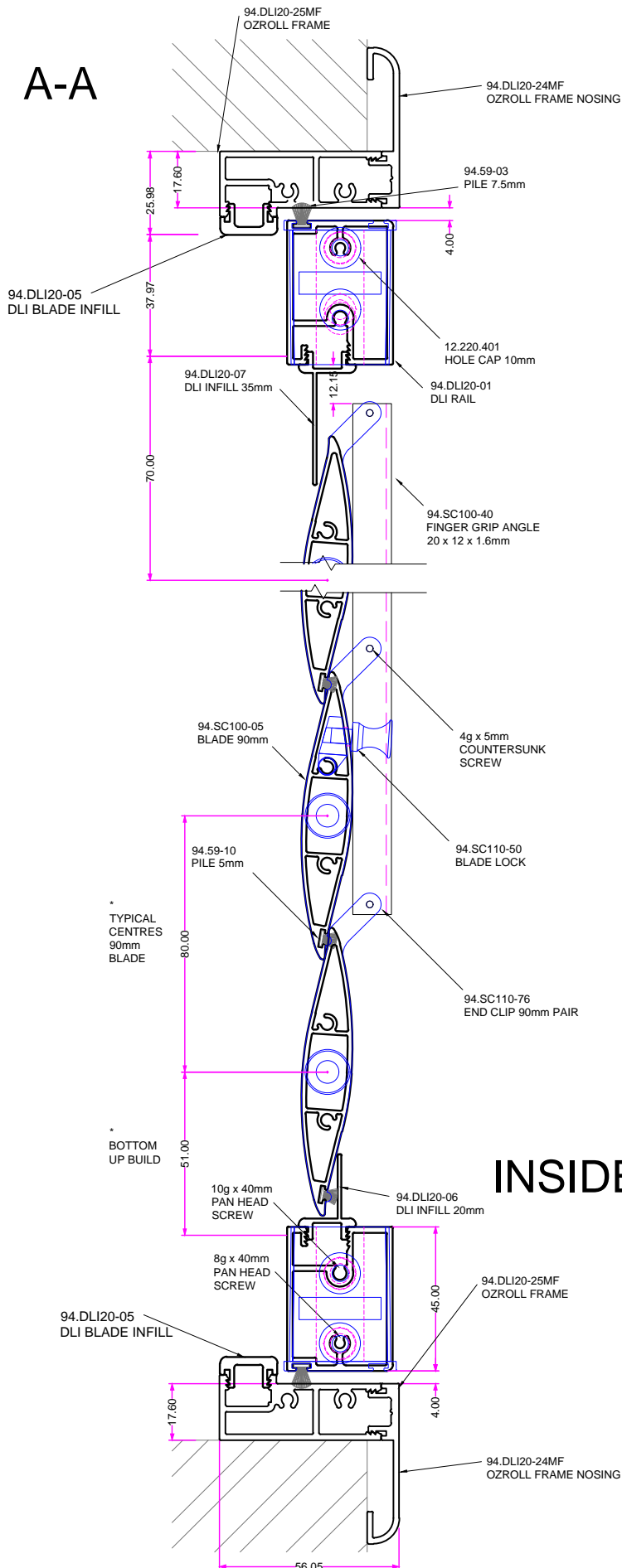
B-B



INSIDE



ELIPSO DLI (DOMESTIC LOUVRE INTERNAL) HINGED LOUVRE Z REVEAL FRAME OPENING IN CONFIGURATION

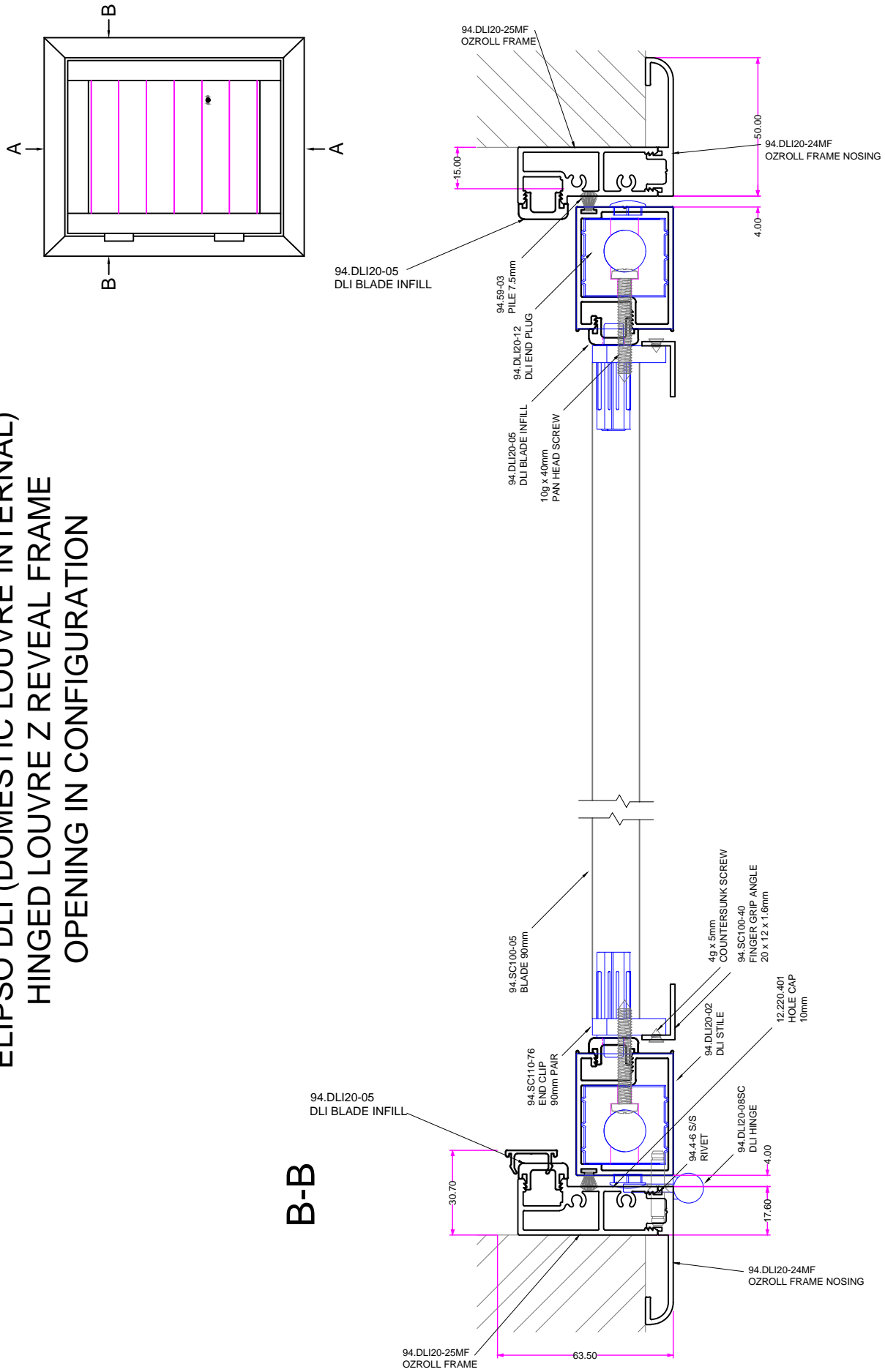


INSIDE

SCALE 1:2

OZROLL ELIPSO DLI 05.27

ELIPSO DLI (DOMESTIC LOUVRE INTERNAL) HINGED LOUVRE Z REVEAL FRAME OPENING IN CONFIGURATION



INSIDE

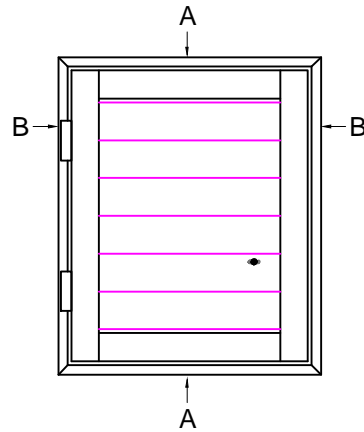
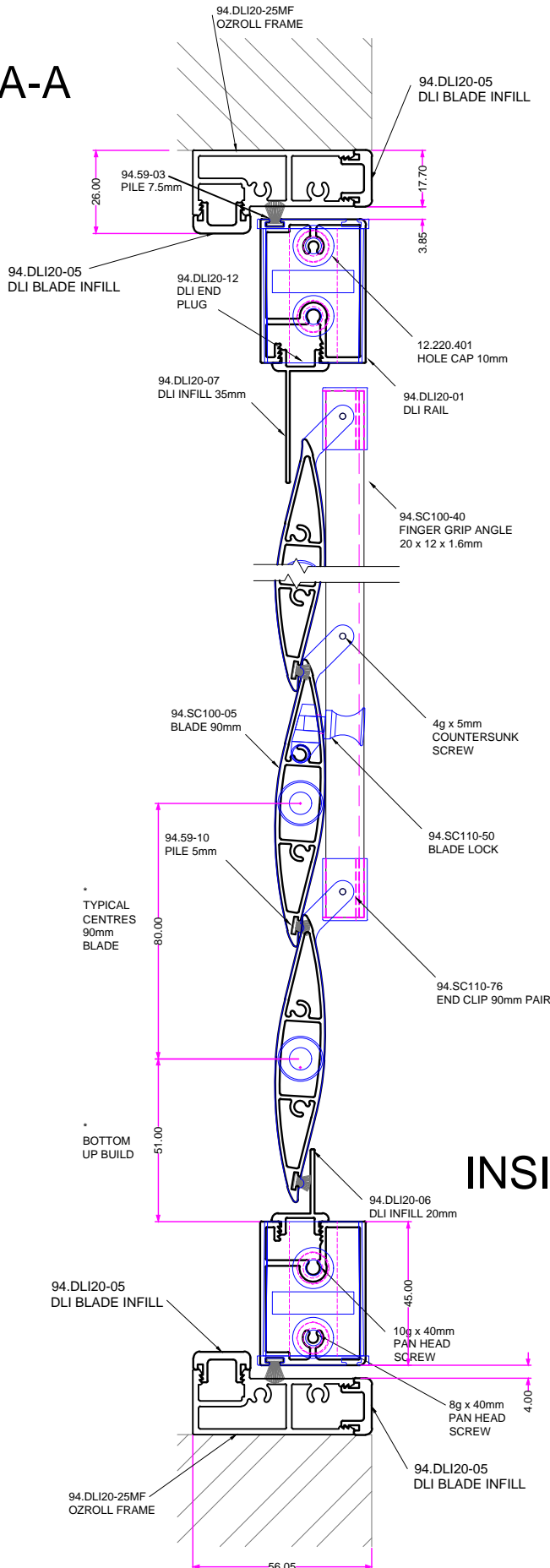


SCALE 1:2

OZROLL ELIPSO DLI 05.28

ELIPSO DLI (DOMESTIC LOUVRE INTERNAL) HINGED LOUVRE L REVEAL FRAME OPENING IN CONFIGURATION

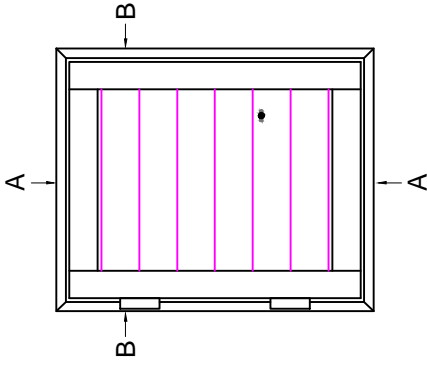
A-A



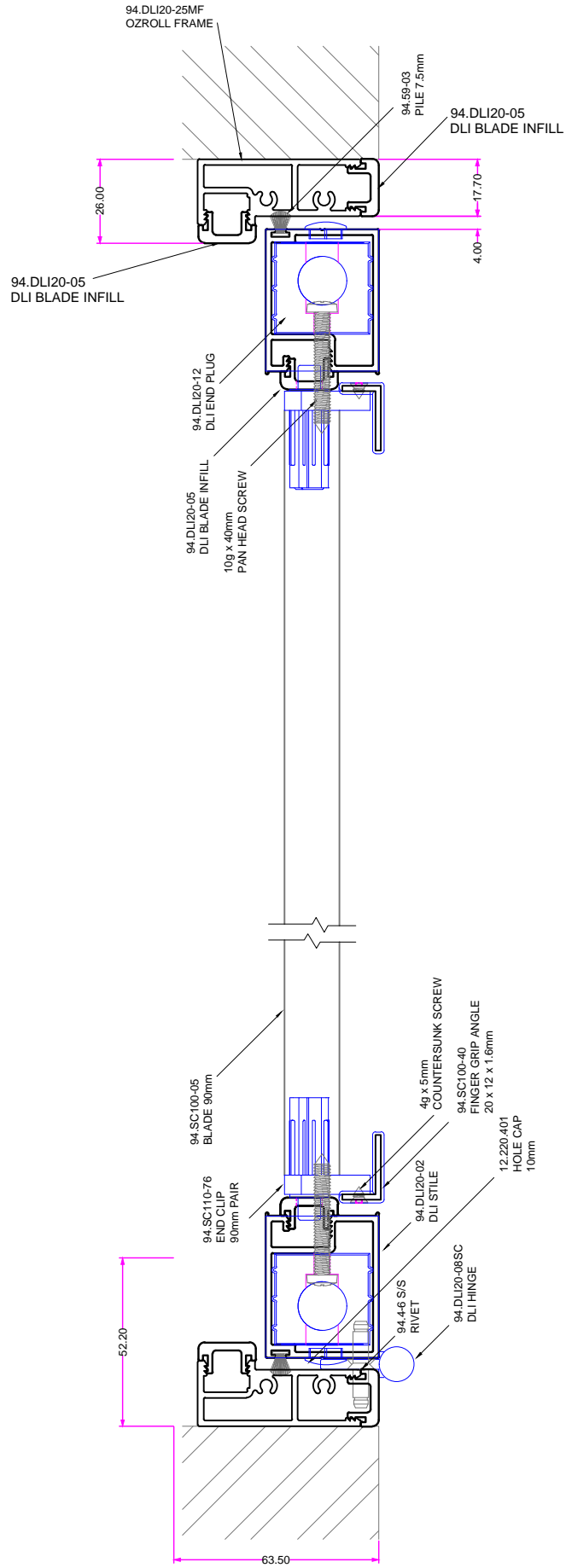
INSIDE

SCALE 1:2

ELIPSO DLI (DOMESTIC LOUVRE INTERNAL)
 HINGED LOUVRE L REVEAL FRAME
 OPENING IN CONFIGURATION



B-B



NEW FRAME +
 2 X BLACK INFILL

INSIDE



SCALE 1:2

OZROLL ELIPSO DLI 05.40