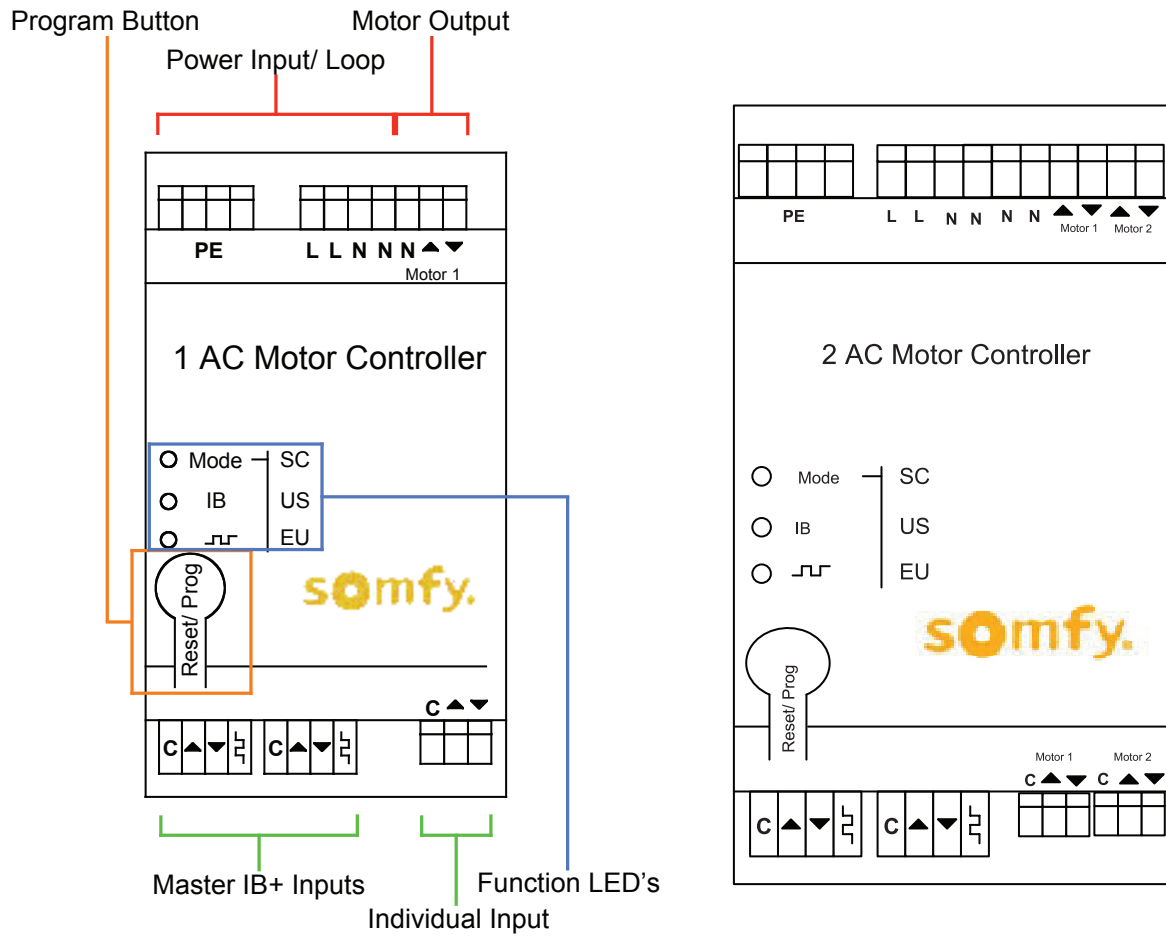


# 1 AC Moco & 2 AC Moco Overview



## 1 AC & 2 AC Motor Controller

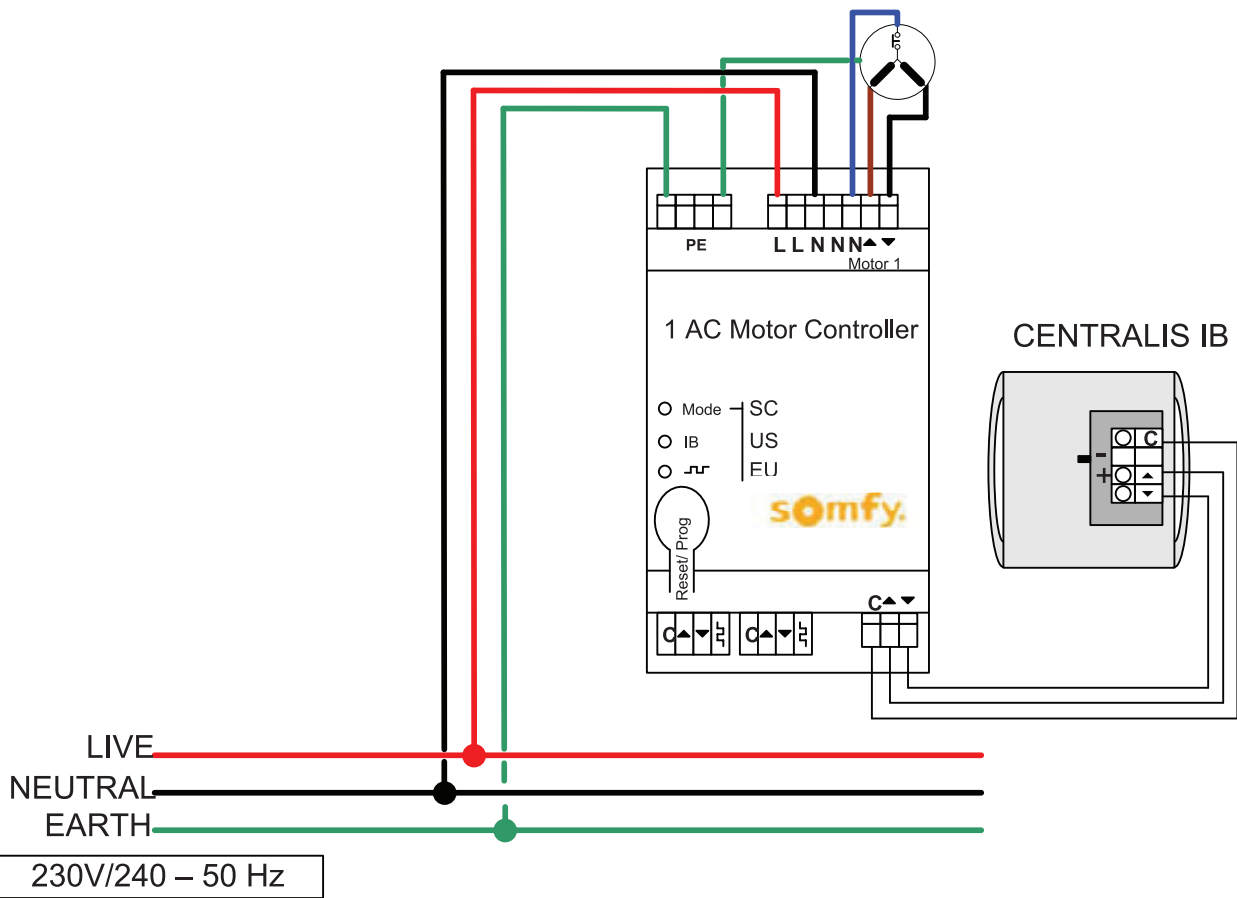


1 x 240V AC motor (1AC Moco) and 2 x 240V AC Motor (2AC Moco) (3.15A max) can be connected to the controller for local switching or via Somfy's Animeo IB+ Façade Management System. The 1AC and 2AC Motor Controller can be configured to work in Venetian Mode EU, Venetian US or Screens Mode (see 'Changing mode' section for instructions). When connected to an Animeo IB+ Network the controller will follow commands from a Building Controller (BuCo). Potential free switches can be used for local control.

# 1 AC Moco Wiring Diagram



## 1 AC Motor Controller



The motor's active for a direction is dependent on the installation.  
Refer to the motor's enclosed documentation to determine the appropriate directional wire colour.