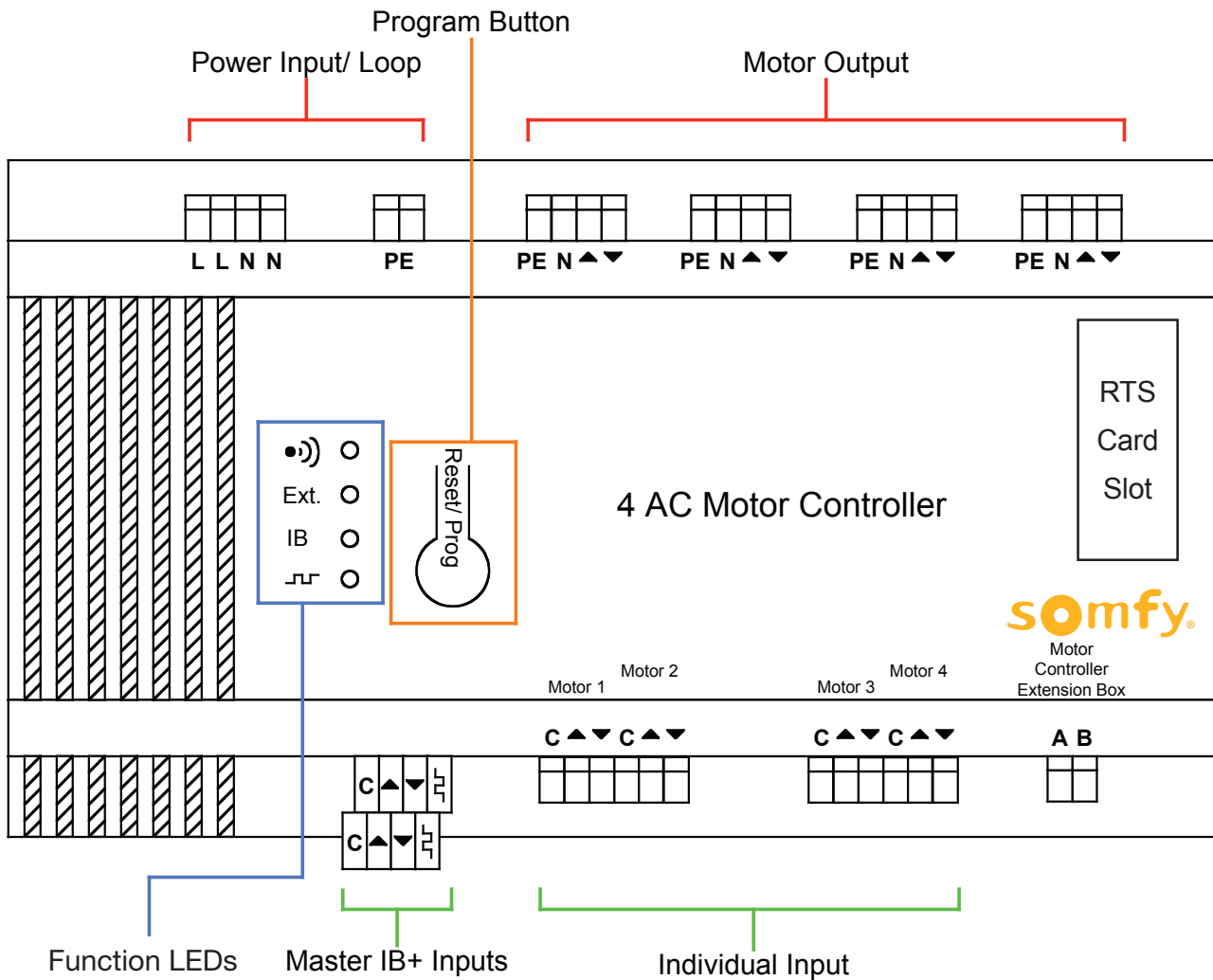


# 4 AC Moco Overview



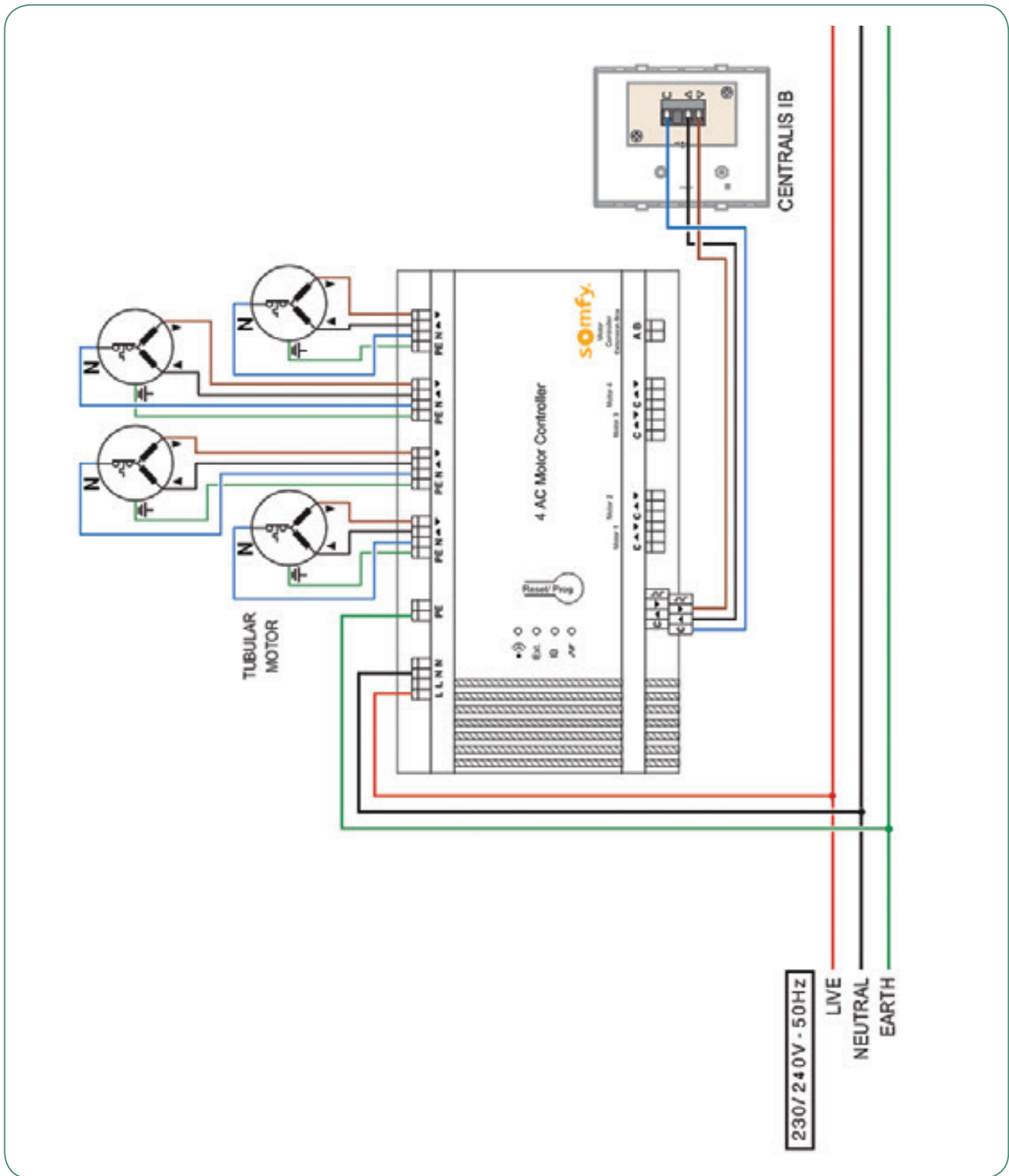
## 4AC Motor Controller



Up to 4x 240v AC motors (3.15A max per output) can be connected to the controller for local switching or via Somfy's Animeo IB+ Façade Management System. The 4AC Motor Controller can be configured to work in Venetian Mode EU, Venetian US or Screens Mode (see 'Changing mode' section). When connected to an Animeo IB+ Network the controller will follow commands from a Building Controller (BuCo). Potential free switches can be used for local control or with an optional RTS card or IR card, can be used remotely.

Note: Full reset - Press program button for 15 seconds

# 4 AC Moco Wiring Diagram



The motor's active for a direction is dependent on the installation.  
Refer to the motor's enclosed documentation to determine the appropriate directional wire colour.