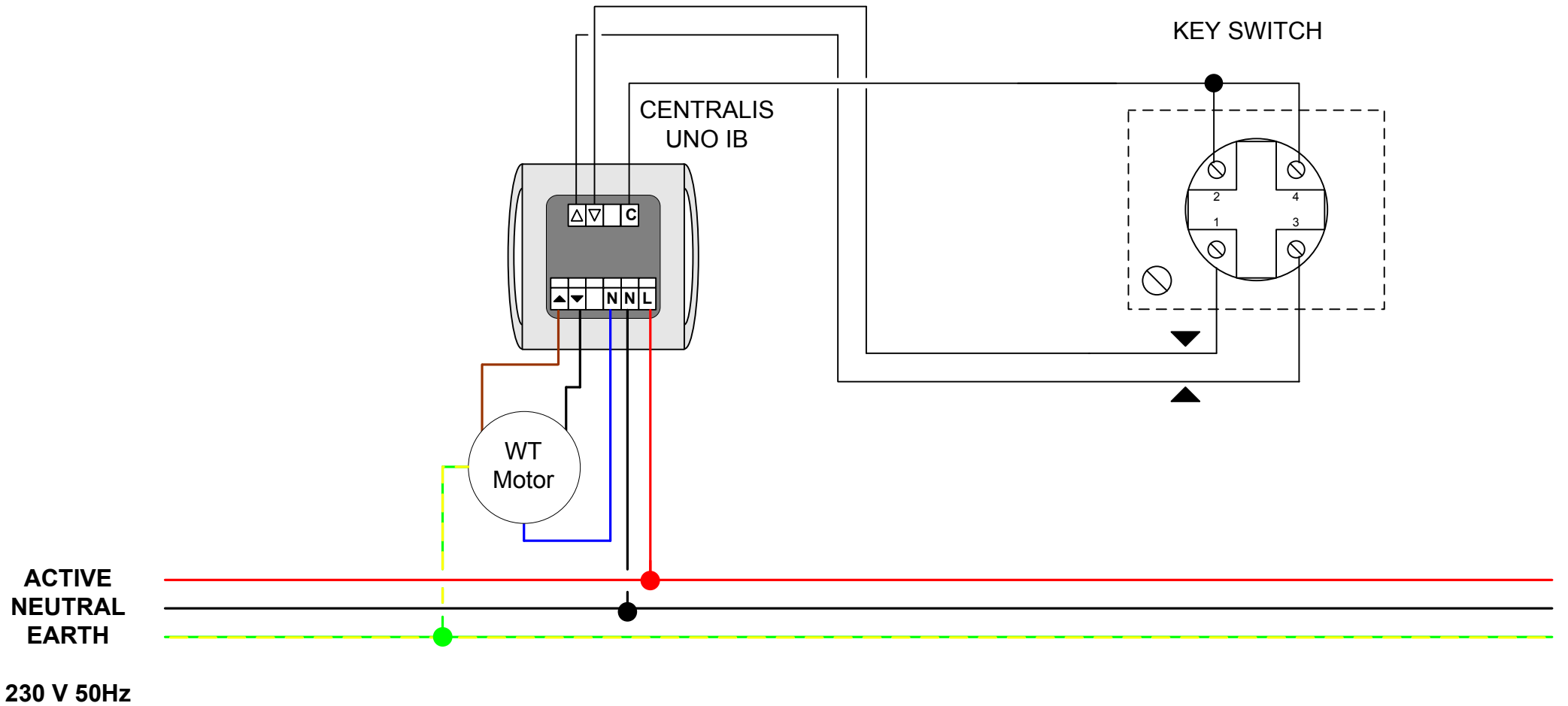


Note:

All Key Switch signals via IB line are in 0 volt, Dry Contacts.



somfy

Project Name

Date Printed
07/10/2009

Drawing No

Drawn By
T.Ngo

0001001

© Copyright 2009
All rights reserved
These drawings
remain the
property of Somfy
and should not be
copied or used
without written
permission.