

Mod/Var Slim & Universal Slim Receivers

Programming & limit setting for LT motors

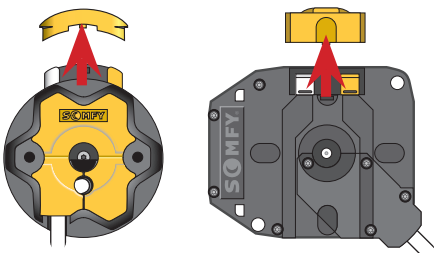


1 Power on the motor and receiver

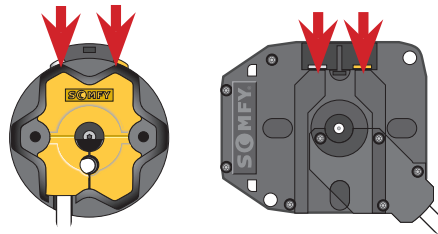
Switch on the power to the receiver.

Only connect one receiver at a time.

2 Preparation



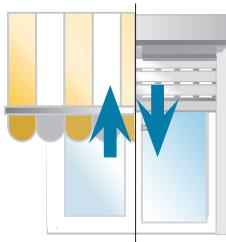
Remove the limit cap



Depress both limit buttons

3 Programming

When using a multi-channel RTS control, remember to select the desired channel prior to programming.



Hold up & down together until it jiggles.



If the direction of the motor is incorrect, reverse the wiring of the black and brown motor cables.

Mod/Var Slim & Universal Slim Receivers

Programming & limit setting for LT motors

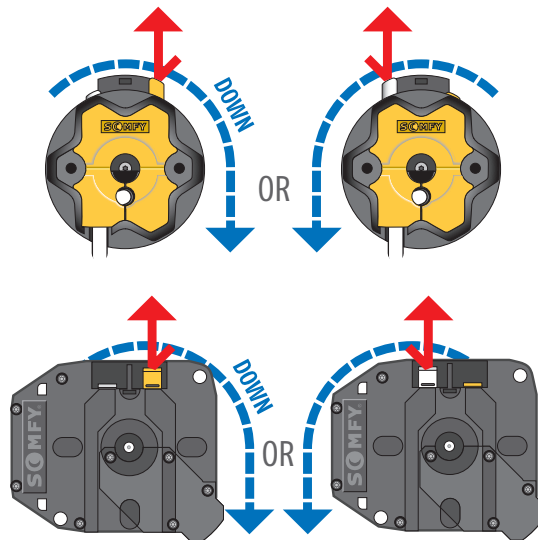


4 Setting the Lower Limit Position

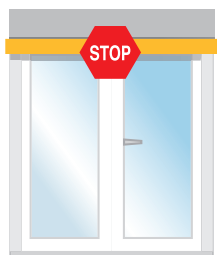


Press down and stop the product at the Down limit position. Press the corresponding limit button on the motor until the button springs up.

✓ The lower limit position has been set.

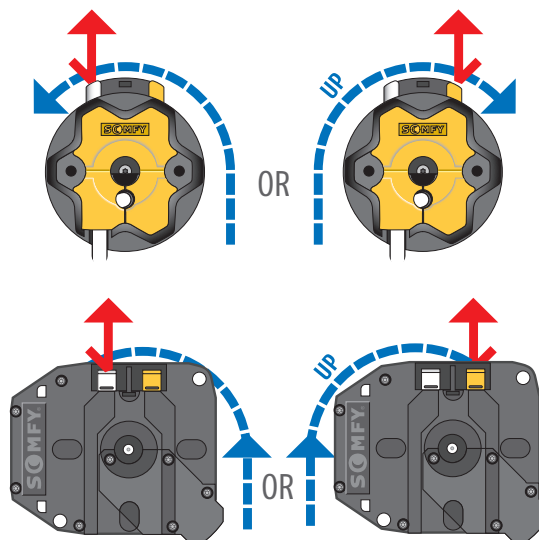


5 Setting the Upper Limit Position



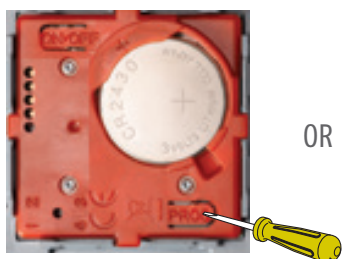
Press up and stop the product at the Up limit position. Press the corresponding limit button on the motor until the button springs up.

✓ The upper limit position has been set.

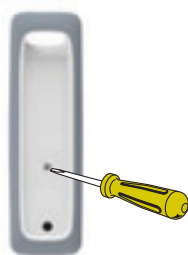


6 Programming the RTS Control to the motor

Press the program button on the RTS control until the product jiggles.

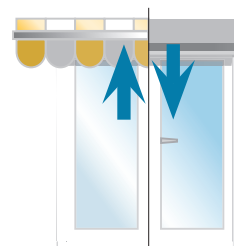


OR



Smoove RTS

Situo RTS



jiggle = control recorded



Mod/Var Slim & Universal Slim Receivers Programming

